



Multipole connectors

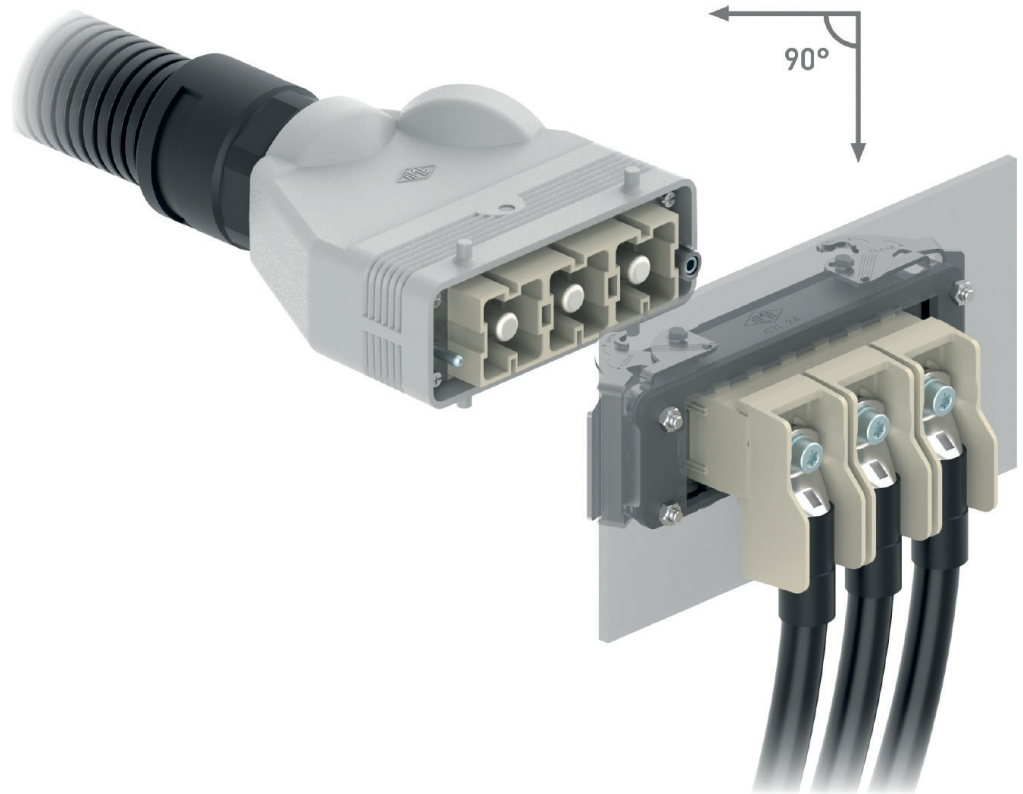


datasheet

20 22

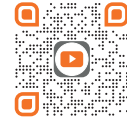
Newsbook

Extract 1/5



POWER FOR ENERGY STORAGE

TECHNICAL FEATURES



Watch our
technical clip

The ILME modular MIXO system offers incredible versatility and freedom of configuration: more than 66 modules are available to realize a connector fitting everyone's needs.

High-power modules in the 70 A - 200 A current range relate to conductors with large wire-cross-section, even up to 70 mm². Such wires are often difficult to handle, having reduced bending radius and requiring an adequate installation room, often not available.

Q The new **MIXO CX 01 YA** module is the solution introduced by ILME to widen the potential of the MIXO high-current series, a module with the same compatible electrical rating and mating interface of the 200 A crimp version but designed to **minimize its space installation requirements**.

Q The male and female contacts for the angled 200 A module allow the **connection of DIN 46235** pre-insulated crimp cable lugs (using M6 Torx® T30 screw), available on the market in the dimension for wire cross-sectional area of 10 mm², 16 mm², 25 mm², 35 mm², 50 mm² and 70 mm².

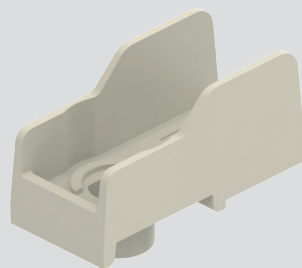
Q To keep the proper electrical insulation, ILME designed a **special insulating cover plate**, avoiding accidental contact between cable lugs of adjacent modules and saving the **nominal voltage rating of 1000 V** planned for the 200 A modules.

Q The 200 A angled module can be used inside the ILME bulkhead mounting housings as a natural extension of a busbar connection or for powering control cabinets, HVAC systems and batteries for energy storage backup applications.

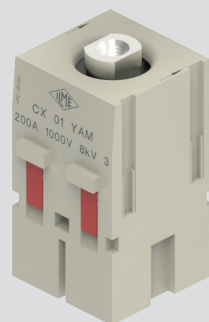
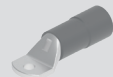
▶ **Original design**

▶ **Special insulating cover plate** avoiding accidental contact between any conductive element (side by side installation)

▶ The insulating cover plate design permits the same voltage and impulse withstand rating as the standard 200 A crimp version module, fulfilling the correct creepage and clearance distances requirements



▶ Suitable for DIN 46235 pre-insulated tubular cable-lugs (not supplied) with wire cross-section: 10 mm² - 70 mm²



▶ M6 x 16 mm Torx® T30 socket bolt to fix the cable lug



▶ M6 elastic washer (under the bolt head)



▶ M6 flat washer (under the lug)

▶ Each cable lug can be disconnected without removing the 200 A contact



MIXO CX 01 YAF /YAM 1 pole 200 A - 1000 V

The modular inserts must be installed in suitable frames which are then mounted in traditional enclosures* or in COB panel support.

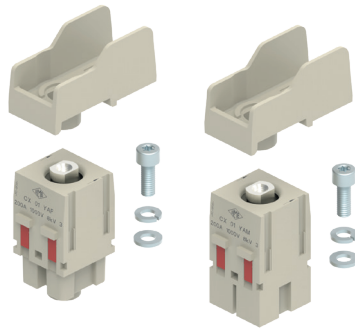
frames for modular units*

page: 317

* enclosures: bulkhead mounting housings only

refer to CN.19 pages

modular units,
screw terminal connection - 90° angled



FROM APRIL 2022

description

part No.

screw terminal connection - 90° angled
female insert with female contact
male insert with male contact

CX 01 YAF
CX 01 YAM

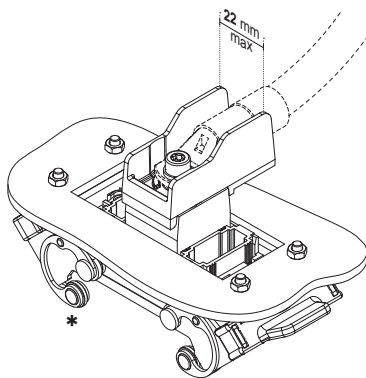
- characteristics according to EN 61984:
200 A 1000 V 8 kV 3

- cURus (ECBT2/8 and PVVA2/8) pending
- CSA, CQC, EAC, DNV-GL, BV pending

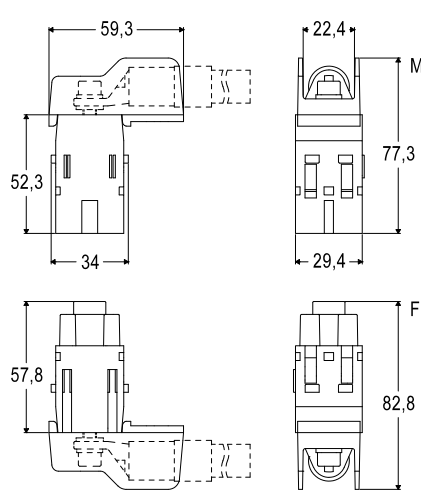
- rated voltage according to UL/CSA: 600 V
- insulation resistance: $\geq 10 \text{ G}\Omega$
- ambient temperature limit: $-40 \text{ }^\circ\text{C} \dots +125 \text{ }^\circ\text{C}$
- made of self-extinguishing thermoplastic resin UL 94V-0
- mechanical life: ≥ 500 cycles
- contact resistance: $\leq 3 \text{ m}\Omega$

- for max. current load see the connector inserts derating diagram under construction; for more information see **page 28** of CN.19 catalogue

- pre-insulated tubular cable lug overall width: 22 mm max.

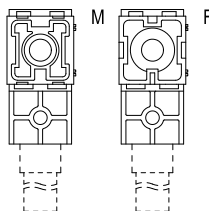


* Frame size, additional MIXO modules and housing levers may vary from those depicted.



contacts side (front view)

side with reference arrow ▲



2 frame slots

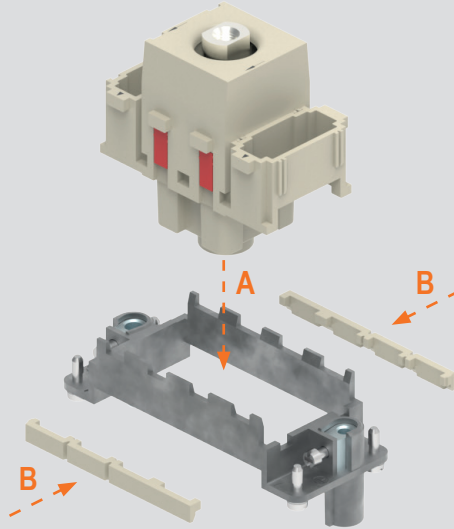
ASSEMBLY INSTRUCTIONS

CX 01 YAF /YAM - MIXO MODULE 200 A 90° SCREW TERMINATION

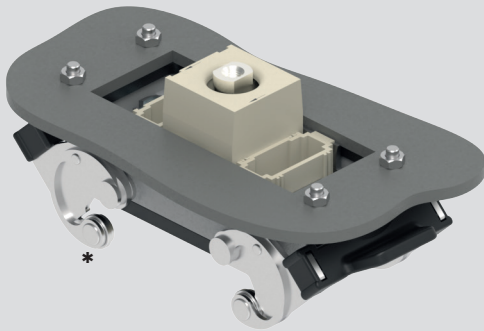


Find out more
www.ilme.com

1

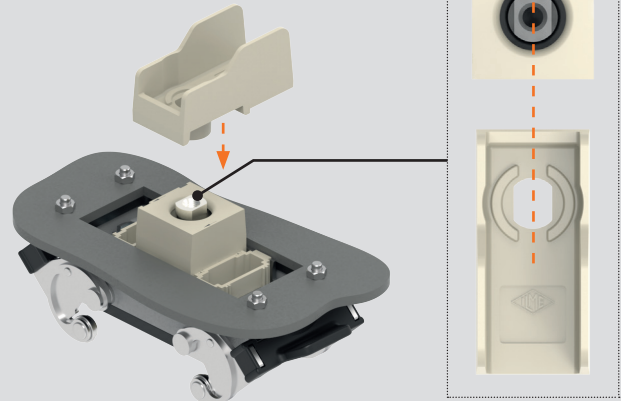


2 For bulkhead mounting housings only

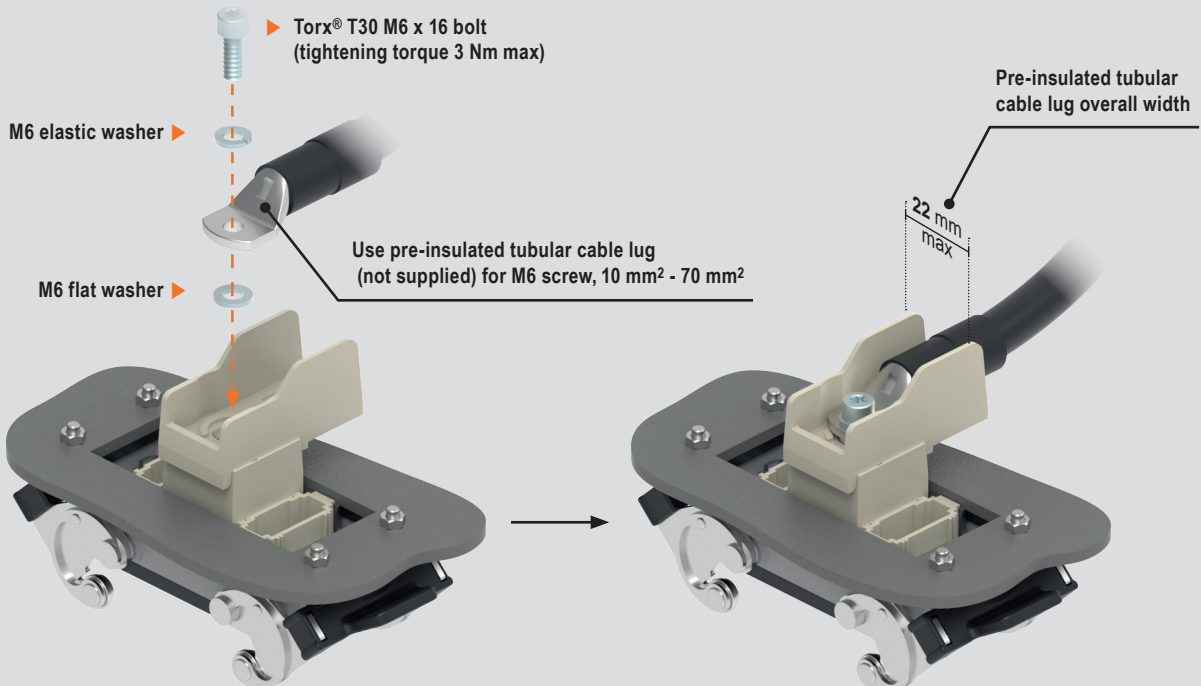


* Frame size, additional MIXO modules and housing levers may vary from those depicted.

3



4





ILME S.p.A.
Via Marco Antonio Colonna, 9
20149 Milano - Italy
www.ilme.com

XDGNE22 1/5

