




# Standard Cable Glands with Thread, Stainless Steel

## Stainless steel cable glands with lamellar clamping

- For high quality machines and housings.
- For high quality applications in corrosive environments.
- Applications: Outdoor, food industry, pharmaceutical industry and other sensitive applications.
- Easy assembly: install cable gland - insert cable - tighten cap.
- High quality strain relief and sealing, reliable performance for standard industrial applications.
- Up-to-date international approvals.

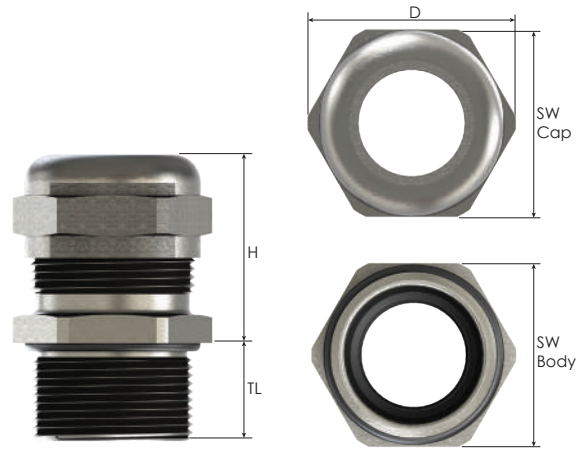
Technical Details		
Material	Body, Cap	Stainless steel 1.4305 (AISI 303)
	Seal	CR (Chloroprene)
	Clamping Insert	PA 6 (Polyamide 6)
	O-Ring	NBR
Ingress Protection Rating	IP 68 - 5 Bar, 30 min	
Flammability	V2 according to UL94	
Operating Temperature	Permanent	-20 °C to +100 °C
	Intermittent	-40 °C to +150 °C
Thread Type	<ul style="list-style-type: none"> <li>• Metric EN 60423</li> <li>• PG DIN 40430</li> <li>• NPT ANSI B1.20.1</li> <li>• Other thread types also available upon request.</li> </ul>	
Cable Type	Non armoured	
Accessories	<ul style="list-style-type: none"> <li>• Lock nuts</li> <li>• Dome plugs</li> <li>• Reducing seals</li> <li>• Flat cable seals</li> <li>• Multihole seals</li> <li>• Gaskets (Washers)</li> </ul>	
	<ul style="list-style-type: none"> <li>• Different Seal types available.</li> <li>• Manufactured according to DIN EN 62444/50262.</li> <li>• We recommend the use of lock nuts and gaskets to ensure IP rating for rough surfaces or through holes.</li> <li>• Some approvals do not cover all sizes.</li> <li>• Accessories must be ordered separately.</li> <li>• Some approvals do not cover all sizes.</li> <li>• O-ring available in Metric and PG threads as a standard. For NPT threads O-ring available upon request.</li> </ul>	
Remarks	<p><b>Note:</b> Applications of most cable glands don't require same parameters applied to tests. For applications strictly acc. to the approval definitions please consult data sheet.</p>	
Approvals	Certificate Number	Standards
	40040034	DIN EN 62444
	E199260	UL514B CSA22.2 No 18.3-12 CSA22.2 No 94.2-15
		UL50E
<b>TYPE 4x</b>		
	E-14047	EN62444

For more approvals: see our webpage.



Order Coding			
Part Number	Gasket (Washer)	Lock Nut	Sealing Plug
Mandatory	- Option	Option	Option
See table	- WC Chloroprene WS Silicone	L Lock Nut	P Dome Plug T Dust Plug
Example			
BMSD-04	- WC	L	P

# Standard Cable Glands with Thread, Stainless Steel



Thread Type **METRIC** acc. to EN 60423




Outer Thread Size (Male)	Clamping Range Ø min-max mm	Outer Thread Length TL mm	Spanner Width		Outer Ø D mm	max. Height H mm	Part Number	Minimum Order Quantity
			Cap SW Cap mm	Body SW Body mm				
M12x1,5	2,0 - 5,0	6,0	14	14	15,5	24,0	BMSD-0S	1000
	2,0 - 5,0	12,0	14	14	15,5	24,0	BMSE-0SR	1000
	3,0 - 6,5	6,0	14	14	15,5	24,0	BMSC-0S	1000
	3,0 - 6,5	12,0	14	14	15,5	24,0	BMSE-ES	1000
M16x1,5	2,0 - 6,0	7,0	17	19	21,0	25,5	BMSD-01	900
	2,0 - 6,0	12,0	17	19	21,0	25,5	BMSE-01R	900
	3,0 - 7,0	7,0	22	22	24,5	30,5	BMSD-E1	600
	3,0 - 7,0	12,0	22	22	24,5	30,5	BMSE-E1R	600
	4,0 - 8,0	7,0	17	19	21,0	25,5	BMSC-01	900
	4,0 - 8,0	12,0	17	19	21,0	25,5	BMSE-01	900
	5,0 - 10,0	7,0	22	22	24,5	30,5	BMSC-E1	600
	5,0 - 10,0	12,0	22	22	24,5	30,5	BMSE-E1	600
M20x1,5	5,0 - 9,0	8,0	22	22	24,5	26,5	BMSD-02	500
	5,0 - 9,0	12,0	22	22	24,5	28,0	BMSE-E2R	500
	6,0 - 12,0	8,0	22	22	24,5	26,5	BMSC-02	500
	6,0 - 12,0	12,0	22	22	24,5	28,0	BMSE-E2	500
	7,0 - 13,0	8,0	24	24	26,5	30,5	BMSC-E2S	350
	10,0 - 14,0	8,0	24	24	26,5	30,0	BMSC-02S	350
	10,0 - 14,0	12,0	24	24	26,5	30,0	BMSE-02S	350
M25x1,5	7,0 - 12,0	8,0	24	27	30,0	30,0	BMSD-03	350
	7,0 - 12,0	12,0	24	27	30,0	30,0	BMSE-03R	350
	9,0 - 16,0	8,0	30	30	33,0	35,0	BMSD-03S	200
	9,0 - 16,0	12,0	30	30	33,0	35,0	BMSE-03SR	200
	10,0 - 14,0	8,0	24	27	30,0	30,0	BMSC-03	350
	10,0 - 14,0	12,0	24	27	30,0	30,0	BMSE-03	350
	11,0 - 17,0	8,0	27	27	30,0	32,5	BMSC-E3	350
	11,0 - 17,0	12,0	27	27	30,0	32,5	BMSE-E3	350
	13,0 - 18,0	8,0	30	30	33,0	35,0	BMSC-03S	200
	13,0 - 18,0	12,0	30	30	33,0	35,0	BMSE-03S	200
	M32x1,5	9,0 - 16,0	9,0	30	36	39,8	35,0	BMSD-04
9,0 - 16,0		15,0	30	36	39,8	35,0	BMSE-04R	200
12,0 - 20,0		9,0	41	41	45,5	39,5	BMSD-04S	100
12,0 - 20,0		15,0	41	41	45,5	39,5	BMSE-04SR	100
13,0 - 18,0		9,0	30	36	39,8	35,0	BMSC-04	200
13,0 - 18,0		15,0	30	36	39,8	35,0	BMSE-04	200
15,0 - 21,0		8,0	36	36	39,8	38,0	BMSC-E4	200
15,0 - 21,0		15,0	36	36	39,8	38,0	BMSE-E4	200
18,0 - 25,0		9,0	41	41	45,5	39,5	BMSC-04S	100
18,0 - 25,0		15,0	41	41	45,5	39,5	BMSE-04S	100
M40x1,5	12,0 - 20,0	9,0	41	46	51,4	40,5	BMSD-05	100
	12,0 - 20,0	15,0	41	46	51,4	40,5	BMSE-05R	100
	16,0 - 23,0	9,0	46	46	51,4	45,5	BMSC-E5	100
	16,0 - 23,0	15,0	46	46	51,4	45,5	BMSE-E5R	100
	19,0 - 28,0	9,0	46	46	51,4	45,5	BMSC-E5	100
	19,0 - 28,0	15,0	46	46	51,4	45,5	BMSE-E5	100
	18,0 - 25,0	9,0	41	46	51,4	40,5	BMSC-05	100
	18,0 - 25,0	15,0	41	46	51,4	40,5	BMSE-05	100
	22,0 - 32,0	9,0	50	50	55,5	51,0	BMSC-05S	50
22,0 - 32,0	15,0	50	50	55,5	51,0	BMSE-05S	50	
M50x1,5	20,0 - 26,0	9,0	50	55	61,0	50,0	BMSD-06	50
	20,0 - 26,0	15,0	50	55	61,0	50,0	BMSE-06R	50
	22,0 - 32,0	9,0	50	55	61,0	50,0	BMSC-06	50
	22,0 - 32,0	15,0	50	55	61,0	50,0	BMSE-06	50
	27,0 - 38,0	9,0	60	60	66,5	54,0	BMSC-E6	40
	27,0 - 38,0	15,0	60	60	66,5	54,0	BMSE-E6	40
	34,0 - 44,0	9,0	65	65	71,0	55,0	BMSC-06S	40
34,0 - 44,0	15,0	65	65	71,0	55,0	BMSE-06S	40	
M63x1,5	29,0 - 35,0	10,0	65	70	77,0	56,0	BMSD-E7	40
	29,0 - 35,0	14,0	65	70	77,0	55,0	BMSD-07	40
	29,0 - 35,0	18,0	65	70	77,0	55,0	BMSE-07R	40
	34,0 - 44,0	10,0	65	70	77,0	56,0	BMSC-E7	40
	34,0 - 44,0	14,0	65	70	77,0	55,0	BMSC-07	40
	34,0 - 44,0	18,0	65	70	77,0	55,0	BMSE-07	40
	37,0 - 53,0	10,0	75	75	83,0	53,0	BMSC-07S	20
	37,0 - 53,0	18,0	75	75	83,0	53,0	BMSE-07S	20

# Standard Cable Glands with Thread, Stainless Steel

## Stainless steel cable glands with lamellar clamping

- For high quality machines and housings.
- For high quality applications in corrosive environments.
- Applications: Outdoor, food industry, pharmaceutical industry and other sensitive applications.
- Easy assembly: install cable gland - insert cable - tighten cap.
- High quality strain relief and sealing, reliable performance for standard industrial applications.
- Up-to-date international approvals.

### Technical Details

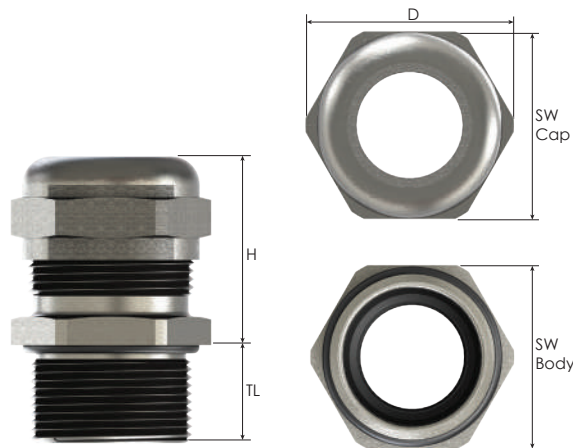
<b>Material</b>	<b>Body, Cap</b>	Stainless steel 1.4305 (AISI 303)	
	<b>Seal</b>	CR (Chloroprene)	
	<b>Clamping Insert</b>	PA 6 (Polyamide 6)	
	<b>O-Ring</b>	NBR	
<b>Ingress Protection Rating</b>	IP 68 - 5 Bar, 30 min		
<b>Flammability</b>	V2 according to UL94		
<b>Operating Temperature</b>	<b>Permanent</b>	-20 °C to +100 °C	
	<b>Intermittent</b>	-40 °C to +150 °C	
<b>Thread Type</b>	<ul style="list-style-type: none"> <li>• Metric EN 60423</li> <li>• PG DIN 40430</li> <li>• NPT ANSI B1.20.1</li> <li>• Other thread types also available upon request.</li> </ul>		
<b>Cable Type</b>	Non armoured		
<b>Accessories</b>	<ul style="list-style-type: none"> <li>• Lock nuts</li> <li>• Dome plugs</li> <li>• Reducing seals</li> <li>• Flat cable seals</li> <li>• Multihole seals</li> <li>• Gaskets (Washers)</li> </ul>		
	<ul style="list-style-type: none"> <li>• Different seal types available.</li> <li>• Manufactured according to DIN EN 62444/50262.</li> <li>• We recommend the use of lock nuts and gaskets to ensure IP rating for rough surfaces or through holes.</li> <li>• Some approvals do not cover all sizes.</li> <li>• Accessories must be ordered separately.</li> <li>• Some approvals do not cover all sizes.</li> <li>• O-ring available in Metric and PG threads as a standard. For NPT threads O-ring available upon request.</li> </ul>		
<b>Remarks</b>	<p><b>Note:</b> Applications of most cable glands don't require same parameters applied to tests. For applications strictly acc. to the approval definitions please consult data sheet.</p>		
<b>Approvals</b>	<b>Certificate Number</b>	<b>Standards</b>	
	40040034	DIN EN 62444	
	E199260	UL514B CSA22.2 No 18.3-12 CSA22.2 No 94.2-1S	
<b>TYPE 4x</b>		UL50E	
	E-14047	EN62444	

For more approvals: see our webpage.



Order Coding			
Part Number	Gasket (Washer)	Lock Nut	Sealing Plug
Mandatory	- Option	Option	Option
See table	- WC Chloroprene WS Silicone	L Lock Nut	P Dome Plug T Dust Plug
Example			
BMSD-04	- WC	L	P

## Standard Cable Glands with Thread, Stainless Steel



### Thread Type **NPT** acc. to ANSI B1.20.1

Outer Thread Size (Male)	Clamping Range Ø min-max mm	Outer Thread Length TL mm	Spanner Width		Outer Ø D mm	max. Height H mm	Part Number	Minimum Order Quantity
			Cap SW Cap mm	Body SW Body mm				
NPT 3/8"	2,0 - 6,0	11,5	17	19	21,0	25,5	BNSD-01	900
	3,0 - 7,0	11,5	22	20	24,0	31,5	BNSD-01S	600
	4,0 - 8,0	11,5	17	19	21,0	25,5	BNSC-01	900
	5,0 - 10,0	11,5	22	20	24,0	31,5	BNSC-01S	600
NPT 1/2"	5,0 - 9,0	13,0	22	27	30,0	31,0	BNSD-02	500
	6,0 - 12,0	13,0	22	27	30,0	31,0	BNSC-02	500
	7,0 - 12,0	13,0	24	24	26,5	30,0	BNSD-02S	350
NPT 3/4"	9,0 - 16,0	13,0	30	30	33,0	38,0	BNSD-03	200
	13,0 - 18,0	13,0	30	30	33,0	38,0	BNSC-03	200
	12,0 - 20,0	13,0	41	41	45,5	45,5	BNSD-04	100
NPT 1"	18,0 - 25,0	13,0	41	41	45,5	45,5	BNSC-04	100
	22,0 - 32,0	25,6	50	50	55,5	51,0	BNSC-05	50
NPT 1 1/4"	30,0 - 38,0	26,0	60	60	66,5	50,0	BNSC-06	40
NPT 2"	34,0 - 44,0	27,0	65	65	72,0	55,0	BNSC-07	40

### Thread Type **PG** acc. to DIN 40430

Outer Thread Size (Male)	Clamping Range Ø min-max mm	Outer Thread Length TL mm	Spanner Width		Outer Ø D mm	max. Height H mm	Part Number	Minimum Order Quantity
			Cap SW Cap mm	Body SW Body mm				
PG 7	2,0 - 5,0	6,0	14	14	15,5	24,0	BSSD-01	1000
	2,0 - 5,0	10,0	14	14	15,5	24,0	BSSE-01R	1000
	3,0 - 6,5	6,0	14	14	15,5	24,0	BSSC-01	1000
	3,0 - 6,5	10,0	14	14	15,5	24,0	BSSE-01	1000
PG 9	2,0 - 6,0	6,0	17	19	21,0	25,5	BSSD-02	900
	2,0 - 6,0	10,0	17	19	21,0	25,5	BSSE-02R	900
	4,0 - 8,0	6,0	17	19	21,0	25,5	BSSC-02	900
PG 11	4,0 - 8,0	10,0	17	19	21,0	25,5	BSSE-02	900
	3,0 - 7,0	6,0	22	22	24,0	27,5	BSSD-03	600
	3,0 - 7,0	10,0	22	22	24,0	27,5	BSSE-03R	600
	5,0 - 10,0	6,0	22	22	24,0	27,5	BSSC-03	600
PG 13,5	5,0 - 10,0	10,0	22	22	24,0	27,5	BSSE-03	600
	5,0 - 9,0	6,5	22	22	24,0	26,0	BSSD-04	500
	5,0 - 9,0	10,0	22	22	24,0	26,0	BSSE-04R	500
	6,0 - 12,0	6,5	22	22	24,0	26,0	BSSC-04	500
PG 16	6,0 - 12,0	10,0	22	22	24,0	26,0	BSSE-04	500
	7,0 - 12,0	6,5	24	24	26,5	30,0	BSSD-05	400
	7,0 - 12,0	10,0	24	24	26,5	30,0	BSSE-05R	400
	10,0 - 14,0	6,5	24	24	26,5	30,0	BSSC-05	400
PG 21	10,0 - 14,0	10,0	24	24	26,5	30,0	BSSE-05	400
	9,0 - 16,0	7,2	30	30	33,0	35,0	BSSD-06	200
	9,0 - 16,0	12,0	30	30	33,0	35,0	BSSE-06R	200
	13,0 - 18,0	7,2	30	30	33,0	35,0	BSSC-06	200
PG 29	13,0 - 18,0	12,0	30	30	33,0	35,0	BSSE-06	200
	12,0 - 20,0	8,0	41	41	45,5	40,5	BSSD-07	100
	12,0 - 20,0	12,0	41	41	45,5	40,5	BSSE-07R	100
	18,0 - 25,0	8,0	41	41	45,5	40,5	BSSC-07	100
PG 36	18,0 - 25,0	12,0	41	41	45,5	40,5	BSSE-07	100
	20,0 - 26,0	9,0	50	50	55,5	50,0	BSSD-08	50
	20,0 - 26,0	14,0	50	50	55,5	50,0	BSSE-08R	50
	22,0 - 32,0	9,0	50	50	55,5	50,0	BSSC-08	50
PG 42	22,0 - 32,0	14,0	50	50	55,5	50,0	BSSE-08	50
	25,0 - 31,0	12,0	60	60	66,5	51,0	BSSD-09	40
	25,0 - 31,0	16,0	60	60	66,5	51,0	BSSE-09R	40
	30,0 - 38,0	12,0	60	60	66,5	51,0	BSSC-09	40
PG 48	30,0 - 38,0	16,0	60	60	66,5	51,0	BSSE-09	40
	29,0 - 35,0	14,0	65	65	72,0	54,5	BSSD-10	40
	29,0 - 35,0	18,0	65	65	72,0	54,5	BSSE-10R	40
	34,0 - 44,0	14,0	65	65	72,0	54,5	BSSC-10	40
34,0 - 44,0	18,0	65	65	72,0	54,5	BSSE-10	40	






# Standard Glands with Thread, Polyamide

## Polyamide cable glands with lamellar clamping

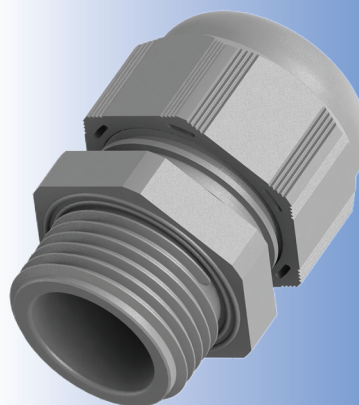
- For standard industrial applications.
- Easy assembly.
- High quality strain relief and sealing, reliable performance for standard industrial applications.
- Up-to-date international approvals.

### Technical Details

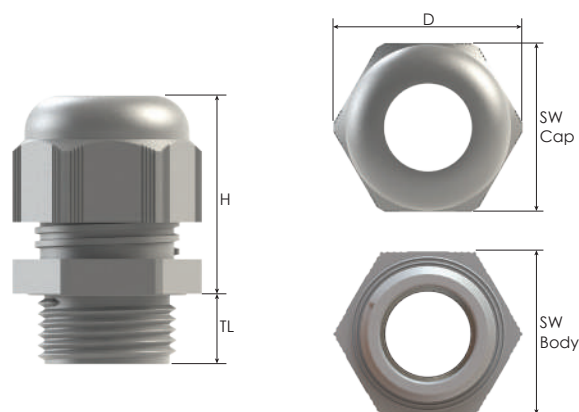
<b>Material</b>	<b>Body, Cap</b>	PA 6 (Polyamide 6)	
	<b>Seal</b>	CR (Chloroprene)	
<b>Ingress Protection Rating</b>	IP 68 - 5 Bar, 30 min		
	IP 66		
<b>Flammability</b>	V2 according to UL94		
<b>Operating Temperature</b>	<b>Permanent</b>		<b>Intermittent</b>
	-20 °C to +100 °C		-30 °C to +150 °C
<b>Thread Type</b>	<ul style="list-style-type: none"> <li>• Metric EN 60423</li> <li>• PG DIN 40430</li> <li>• NPT ANSI B1.20.1</li> <li>• Gas ISO 228</li> <li>• Other thread types also available upon request.</li> </ul>		
<b>Cable Type</b>	Non armoured		
<b>Accessories</b>	<ul style="list-style-type: none"> <li>• Lock nuts</li> <li>• Dome plugs</li> <li>• Reducing seals</li> <li>• Flat cable seals</li> <li>• Multihole seals</li> <li>• Gaskets (Washers)</li> </ul>		
	<ul style="list-style-type: none"> <li>• In compliance with DIN EN 62444.</li> <li>• We recommend the use of lock nuts and gaskets to ensure IP rating for rough surfaces or through holes.</li> <li>• Accessories must be ordered separately.</li> <li>• Some approvals do not cover all sizes.</li> <li>• Other colors on request: RAL 5015 (blue) RAL 9003 (white) RAL 3020 (red)</li> </ul>		
<b>Remarks</b>			

Approvals	Certificate Number	Standards
	134171	DIN EN 62444
	115116_0_000	CSA C22.2
	E199260	UL514B CSA22.2 No 18.3-12 CSA22.2 No 94.2-15
		UL50E
<b>TYPE 4X</b>		
	SERCOVAM RES 107572	UL514B §8.26.7
	E-14046	EN62444

For more approvals: see our webpage.



## Standard Glands with Thread, Polyamide



### Thread Type METRIC acc. to EN 60423

Outer Thread Size (Male)	Clamping Range Ø min - max	Outer Thread Length	Spanner Width		Outer Ø	max. Height	Part Number			Minimum Order Quantity
			Cap	Body			RAL 7035 light grey	RAL 7001 grey	RAL 9005 black	
			mm	mm						
M12x1,5	2,0 - 5,0	8,0	15	15	17,0	25,3	BI-1S	BI-0S	BI-2S	4000
	2,0 - 5,0	10,0	15	15	17,0	25,3	BM-EN-1SMR	BM-EN-0SMR	BM-EN-2SMR	4000
	2,0 - 5,0	15,0	15	15	17,0	25,3	BM-EN-1SRL	BM-EN-0SRL	BM-EN-2SRL	4000
	3,0 - 6,5	8,0	15	15	17,0	25,3	BM-1S	BM-0S	BM-2S	4000
	3,0 - 6,5	10,0	15	15	17,0	25,3	BM-EN-1SM	BM-EN-0SM	BM-EN-2SM	4000
	3,0 - 6,5	15,0	15	15	17,0	25,3	BM-EN-1SL	BM-EN-0SL	BM-EN-2SL	4000
M16x1,5	2,0 - 6,0	8,0	19	19	21,7	27,4	BM-EN-11R	BM-EN-01R	BM-EN-21R	2000
	2,0 - 6,0	10,0	19	19	21,7	27,4	BM-EN-11MR	BM-EN-01MR	BM-EN-21MR	2000
	2,0 - 6,0	15,0	19	19	21,7	27,4	BM-EN-11LR	BM-EN-01LR	BM-EN-21LR	2000
	3,0 - 7,0	10,0	22	22	25,0	32,2	BI-11	BI-01	BI-21	1800
	3,0 - 7,0	15,0	22	22	25,0	32,2	BI-11L	BI-01L	BI-21L	1500
	4,0 - 8,0	8,0	19	19	21,7	27,4	BM-EN-11	BM-EN-01	BM-EN-21	2000
	4,0 - 8,0	10,0	19	19	21,7	27,4	BM-EN-11M	BM-EN-01M	BM-EN-21M	2000
	4,0 - 8,0	15,0	19	19	21,7	27,4	BM-EN-11L	BM-EN-01L	BM-EN-21L	2000
	5,0 - 10,0	10,0	22	22	25,0	32,2	BM-11	BM-01	BM-21	1800
	5,0 - 10,0	15,0	22	22	25,0	32,2	BM-11L	BM-01L	BM-21L	1500
M20x1,5	5,0 - 9,0	10,0	24	24	27,0	32,4	BI-12	BI-02	BI-22	1600
	5,0 - 9,0	15,0	24	24	27,0	32,4	BI-12L	BI-02L	BI-22L	1000
	6,0 - 12,0	10,0	24	24	27,0	32,4	BM-12	BM-02	BM-22	1600
	6,0 - 12,0	15,0	24	24	27,0	32,4	BM-12L	BM-02L	BM-22L	1000
	7,0 - 12,0	10,0	27	27	30,9	31,9	BI-13	BI-03	BI-23	1000
	7,0 - 12,0	15,0	27	27	30,9	31,9	BI-13L	BI-03L	BI-23L	850
	7,0 - 13,0	10,0	25	25	27,5	34,0	BM-EN-12S	BM-EN-02S	BM-EN-22S	1600
	10,0 - 14,0	10,0	27	27	30,9	31,9	BM-13	BM-03	BM-23	1000
	10,0 - 14,0	15,0	27	27	30,9	31,9	BM-13L	BM-03L	BM-23L	850
	9,0 - 13,0	8,0	29	29	32,5	37,7	BM-EN-13R	BM-EN-03R	BM-EN-23R	800
M25x1,5	9,0 - 13,0	15,0	29	29	32,5	37,7	BM-EN-13RL	BM-EN-03RL	BM-EN-23RL	800
	9,0 - 16,0	10,0	33	33	37,2	38,4	BI-15	BI-05	BI-25	600
	9,0 - 16,0	15,0	33	33	37,2	38,4	BI-15L	BI-05L	BI-25L	600
	11,0 - 17,0	8,0	29	29	32,5	37,7	BM-EN-13	BM-EN-03	BM-EN-23	800
	11,0 - 17,0	15,0	29	29	32,5	37,7	BM-EN-13L	BM-EN-03L	BM-EN-23L	800
	13,0 - 18,0	10,0	33	33	37,2	38,4	BM-15	BM-05	BM-25	600
	13,0 - 18,0	15,0	33	33	37,2	38,4	BM-15L	BM-05L	BM-25L	600
	11,0 - 15,0	10,0	36	36	41,0	42,3	BM-EN-14R	BM-EN-04R	BM-EN-24R	500
M32x1,5	11,0 - 15,0	15,0	36	36	41,0	42,3	BM-EN-14RL	BM-EN-04RL	BM-EN-24RL	500
	12,0 - 20,0	15,0	42	42	47,1	43,3	BI-17	BI-07	BI-27	400
	15,0 - 21,0	10,0	36	36	41,0	42,3	BM-EN-14	BM-EN-04	BM-EN-24	500
	15,0 - 21,0	15,0	36	36	41,0	42,3	BM-EN-14L	BM-EN-04L	BM-EN-24L	500
	18,0 - 25,0	15,0	42	42	47,1	43,3	BM-17	BM-07	BM-27	400
M40x1,5	16,0 - 23,0	10,0	46	46	52,4	47,4	BM-EN-15R	BM-EN-05R	BM-EN-25R	340
	16,0 - 23,0	18,0	46	46	52,4	47,4	BM-EN-15RL	BM-EN-05RL	BM-EN-25RL	340
	19,0 - 28,0	10,0	46	46	52,4	47,4	BM-EN-15	BM-EN-05	BM-EN-25	340
	19,0 - 28,0	18,0	46	46	52,4	47,4	BM-EN-15L	BM-EN-05L	BM-EN-25L	340
	20,0 - 26,0	18,0	53	53	59,6	52,4	BI-18	BI-08	BI-28	200
	22,0 - 32,0	18,0	53	53	59,6	52,4	BM-18	BM-08	BM-28	200
M50x1,5	25,0 - 31,0	18,0	60	60	67,8	54,8	BI-19	BI-09	BI-29	160
	30,0 - 38,0	18,0	60	60	67,8	54,8	BM-19	BM-09	BM-29	160
M63x1,5	29,0 - 35,0	18,0	65	65	72,4	54,9	BI-20	BI-10	BI-30	150
	34,0 - 44,0	18,0	65	65	72,4	54,9	BM-20	BM-10	BM-30	150
M75x2,0	48,0 - 55,0	25,0	75	80	89,0	55,0	BM-B12	BM-B02	BM-B22	80








# Standard Glands with Thread, Polyamide

## Polyamide cable glands with lamellar clamping

- For standard industrial applications.
- Easy assembly.
- High quality strain relief and sealing, reliable performance for standard industrial applications.
- Up-to-date international approvals.

### Technical Details

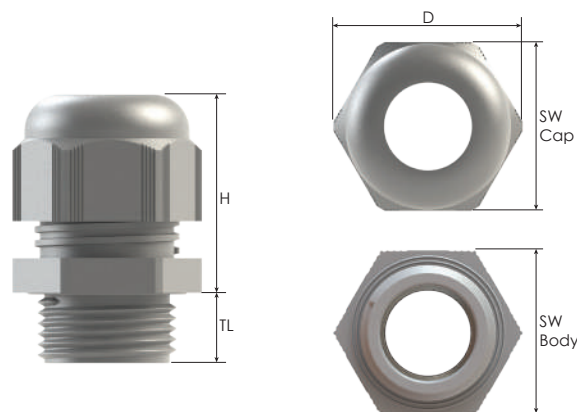
<b>Material</b>	<b>Body, Cap</b>	PA 6 (Polyamide 6)	
	<b>Seal</b>	CR (Chloroprene)	
<b>Ingress Protection Rating</b>	IP 68 - 5 Bar, 30 min		
	IP 66		
<b>Flammability</b>	V2 according to UL94		
<b>Operating Temperature</b>	<b>Permanent</b>		<b>Intermittent</b>
	-20 °C to +100 °C		-30 °C to +150 °C
<b>Thread Type</b>	<ul style="list-style-type: none"> <li>• Metric EN 60423</li> <li>• PG DIN 40430</li> <li>• NPT ANSI B1.20.1</li> <li>• Gas ISO 228</li> <li>• Other thread types also available upon request.</li> </ul>		
<b>Cable Type</b>	Non armoured		
<b>Accessories</b>	<ul style="list-style-type: none"> <li>• Lock nuts</li> <li>• Dome plugs</li> <li>• Reducing seals</li> <li>• Flat cable seals</li> <li>• Multihole seals</li> <li>• Gaskets (Washers)</li> </ul>		
	<ul style="list-style-type: none"> <li>• In compliance with DIN EN 62444.</li> <li>• We recommend the use of lock nuts and gaskets to ensure IP rating for rough surfaces or through holes.</li> <li>• Accessories must be ordered separately.</li> <li>• Some approvals do not cover all sizes.</li> <li>• Other colors on request: RAL 5015 (blue) RAL 9003 (white) RAL 3020 (red)</li> </ul>		
<b>Remarks</b>			

Approvals	Certificate Number	Standards
	134171	DIN EN 62444
	115116_0_000	CSA C22.2
	E199260	UL514B CSA22.2 No 18.3-12 CSA22.2 No 94.2-15
		UL50E
<b>TYPE 4X</b>		
	SERCOVAM RES 107572	UL514B §8.26.7
	E-14046	EN62444

For more approvals: see our webpage.



## Standard Glands with Thread, Polyamide



### Thread Type NPT acc. to ANSI B1.20.1

Outer Thread Size (Male)	Clamping Range Ø min-max mm	Outer Thread Length TL mm	Spanner Width		Outer Ø D mm	max. Height H mm	Part Number			Minimum Order Quantity
			SW Cap mm	SW Body mm			RAL 7035 light grey	RAL 7001 grey	RAL 9005 black	
NPT 3/8"	3,0 - 7,0	15,0	22	22	25,0	32,2	BSPA-11R	BSPA-01R	BSPA-21R	1500
	5,0 - 10,0	15,0	22	22	25,0	32,2	BSPA-11	BSPA-01	BSPA-21	1500
NPT 1/2"	5,0 - 9,0	15,0	24	24	27,0	32,4	BSPB-12R	BSPB-02R	BSPB-22R	1000
	6,0 - 12,0	15,0	24	24	27,0	32,4	BSPB-12	BSPB-02	BSPB-22	1000
	7,0 - 12,0	15,0	27	27	30,9	31,9	BSPC-12R	BSPC-02R	BSPC-22R	850
	10,0 - 14,0	15,0	27	27	30,9	31,9	BSPC-12	BSPC-02	BSPC-22	850
NPT 3/4"	9,0 - 16,0	15,0	33	33	37,2	38,4	BSPD-13R	BSPD-03R	BSPD-23R	600
	13,0 - 18,0	15,0	33	33	37,2	38,4	BSPD-13	BSPD-03	BSPD-23	600
NPT 1"	12,0 - 20,0	18,0	42	42	47,1	43,3	BSP-14R	BSP-04R	BSP-24R	400
	18,0 - 25,0	18,0	42	42	47,1	43,3	BSP-14	BSP-04	BSP-24	400

### Thread Type PG acc. to DIN 40430

Outer Thread Size (Male)	Clamping Range Ø min-max mm	Outer Thread Length TL mm	Spanner Width		Outer Ø D mm	max. Height H mm	Part Number			Minimum Order Quantity
			SW Cap mm	SW Body mm			RAL 7035 light grey	RAL 7001 grey	RAL 9005 black	
PG 7	2,0 - 5,0	8,0	15	15	17,0	25,3	BSR-11	BSR-01	BSR-21	4000
	3,0 - 6,5	8,0	15	15	17,0	25,3	BS-11	BS-01	BS-21	4000
PG 9	2,0 - 6,0	8,0	19	19	21,7	27,4	BSR-12	BSR-02	BSR-22	2000
	4,0 - 8,0	8,0	19	19	21,7	27,4	BS-12	BS-02	BS-22	2000
PG 11	3,0 - 7,0	8,0	22	22	25,0	32,2	BSR-13	BSR-03	BSR-23	1800
	5,0 - 10,0	8,0	22	22	25,0	32,2	BS-13	BS-03	BS-23	1800
PG 13,5	5,0 - 9,0	10,0	24	24	27,0	32,4	BSR-14	BSR-04	BSR-24	1600
	6,0 - 12,0	10,0	24	24	27,0	32,4	BS-14	BS-04	BS-24	1600
PG 16	7,0 - 12,0	10,0	27	27	30,9	31,9	BSR-15	BSR-05	BSR-25	1000
	10,0 - 14,0	10,0	27	27	30,9	31,9	BS-15	BS-05	BS-25	1000
PG 21	9,0 - 16,0	11,0	33	33	37,2	38,4	BSR-16	BSR-06	BSR-26	600
	13,0 - 18,0	11,0	33	33	37,2	38,4	BS-16	BS-06	BS-26	600
PG 29	12,0 - 20,0	11,0	42	42	47,1	43,3	BSR-17	BSR-07	BSR-27	400
	18,0 - 25,0	11,0	42	42	47,1	43,3	BS-17	BS-07	BS-27	400
PG 36	20,0 - 26,0	13,0	53	53	59,6	52,4	BSR-18	BSR-08	BSR-28	200
	22,0 - 32,0	13,0	53	53	59,6	52,4	BS-18	BS-08	BS-28	200
PG 42	25,0 - 31,0	13,0	60	60	67,8	54,8	BSR-19	BSR-09	BSR-29	160
	30,0 - 38,0	13,0	60	60	67,8	54,8	BS-19	BS-09	BS-29	160
PG 48	29,0 - 35,0	14,0	65	65	72,4	54,9	BSR-20	BSR-10	BSR-30	150
	34,0 - 44,0	14,0	65	65	72,4	54,9	BS-20	BS-10	BS-30	150

### Thread Type G acc. to G ISO 228

Outer Thread Size (Male)	Clamping Range Ø min-max mm	Outer Thread Length TL mm	Spanner Width		Outer Ø D mm	max. Height H mm	Part Number			Minimum Order Quantity
			SW Cap mm	SW Body mm			RAL 7035 light grey	RAL 7001 grey	RAL 9005 black	
G 1/4"	2,0 - 5,0	10,0	15	15	17,0	25,3	BPF-1SR	BPF-0SR	BPF-2SR	4000
	3,0 - 6,5	10,0	15	15	17,0	25,3	BPF-1S	BPF-0S	BPF-2S	4000
G 3/8"	3,0 - 7,0	11,0	22	22	25,0	32,2	BPF-11R	BPF-01R	BPF-21R	1800
	5,0 - 10,0	11,0	22	22	25,0	32,2	BPF-11	BPF-01	BPF-21	1800
G 1/2"	5,0 - 9,0	10,0	24	24	27,0	32,4	BPF-12R	BPF-02R	BPF-22R	1600
	6,0 - 12,0	10,0	24	24	27,0	32,4	BPF-12	BPF-02	BPF-22	1600
	7,0 - 12,0	11,0	27	27	30,9	31,9	BPF-13R	BPF-03R	BPF-23R	1000
	10,0 - 14,0	11,0	27	27	30,9	31,9	BPF-13	BPF-03	BPF-23	1000
G 3/4"	9,0 - 16,0	12,0	33	33	37,2	38,4	BPF-14R	BPF-04R	BPF-24R	600
	13,0 - 18,0	12,0	33	33	37,2	38,4	BPF-14	BPF-04	BPF-24	600
G 1"	12,0 - 20,0	13,0	42	42	47,1	43,3	BPF-15R	BPF-05R	BPF-25R	400
	18,0 - 25,0	13,0	42	42	47,7	43,3	BPF-15	BPF-05	BPF-25	400






# Standard Cable Glands with Thread, Brass

## Brass cable glands with lamellar clamping

- For standard industrial applications in harsh environments.
- Easy assembly.
- High quality strain relief and sealing reliable performance for standard industrial applications.
- Up-to-date international approvals

Technical Details		
Material	Body, Cap	Brass Nickel plated
	Seal	CR (Chloroprene)
	Clamping Insert	PA 6 (Polyamide 6)
	O-Ring	NBR
Ingress Protection Rating	IP 68 - 5 Bar, 30 min IP 66	
Flammability	V2 according to UL94	
Operating Temperature	Permanent	-20 °C to +100 °C
	Intermittent	-40 °C to +150 °C
Thread Type	<ul style="list-style-type: none"> <li>• Metric EN 60423</li> <li>• NPT ANSI B1.20.1</li> <li>• PG DIN 40430</li> <li>• Other thread types also available upon request.</li> </ul>	
Cable Type	Non armoured	
Accessories	<ul style="list-style-type: none"> <li>• Lock nuts</li> <li>• Dome plugs</li> <li>• Reducing seals</li> <li>• Flat cable seals</li> <li>• Multihole seals</li> <li>• Gaskets (Washers)</li> </ul>	
	<ul style="list-style-type: none"> <li>• Manufactured according to DIN EN 62444/50262.</li> <li>• We recommend the use of lock nuts and gaskets to ensure IP rating for rough surfaces or through holes.</li> <li>• Some approvals do not cover all sizes.</li> <li>• O-ring available in Metric and PG threads as a standard. For NPT threads O-ring available upon request.</li> <li>• Accessories must be ordered separately.</li> </ul>	
Remarks		

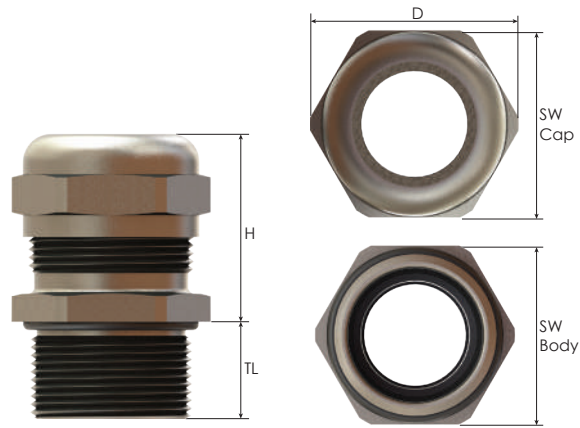
Approvals	Certificate Number	Standards
	40040034	acc. to DIN EN 62444
	E199260	UL514B CSA22.2 No 18.3-12 CSA22.2 No 94.2-15
		UL50E
<b>TYPE 4x</b>		
	E-14047	EN62444

For more approvals: see our webpage.



Order Coding			
Part Number	Gasket (Washer)	Lock Nut	Sealing Plug
Mandatory	- Option	Option	Option
See table	- WC Chloroprene - WS Silicone	L Lock Nut	P Dome Plug T Dust Plug
Example			
BMBE-E4	- WC	L	P

# Standard Cable Glands with Thread, Brass






Thread Type **METRIC** acc. to EN 60423

Outer Thread Size (Male)	Clamping Range Ø min-max mm	Outer Thread Length TL mm	Spanner Width		Outer Ø D mm	max. Height H mm	Part Number	Minimum Order Quantity
			Cap SW Cap mm	Body SW Body mm				
M12x1,5	2,0 - 5,0	6,0	14	14	15,5	24,0	BMBD-0S	1000
	2,0 - 5,0	12,0	14	14	15,5	24,0	BMBE-0SR	1000
	3,0 - 6,5	6,0	14	14	15,5	24,0	BMBC-0S	1000
	3,0 - 6,5	12,0	14	14	15,5	24,0	BMBE-0S	1000
M16x1,5	2,0 - 6,0	7,0	17	18	20,0	25,5	BMBD-01	900
	2,0 - 6,0	12,0	17	18	20,0	25,5	BMBE-01R	900
	3,0 - 7,0	7,0	20	20	22,0	30,5	BMBD-E1	600
	3,0 - 7,0	12,0	20	20	22,0	30,5	BMBE-E1R	600
	4,0 - 8,0	7,0	17	18	20,0	25,5	BMBC-01	900
	4,0 - 8,0	12,0	17	18	20,0	25,5	BMBE-01	900
	5,0 - 10,0	6,5	20	20	22,0	31,5	BMBC-01S	600
	5,0 - 10,0	7,0	20	20	22,0	30,5	BMBC-E1	600
	5,0 - 10,0	12,0	20	20	22,0	31,5	BMBE-01S	600
M20x1,5	5,0 - 9,0	8,0	22	22	24,5	28,0	BMBD-E2	500
	5,0 - 9,0	12,0	22	22	24,5	28,0	BMBE-E2R	500
	6,0 - 12,0	8,0	22	22	24,5	26,5	BMBC-02	500
	6,0 - 12,0	12,0	22	22	24,5	26,5	BMBE-02	500
	7,0 - 13,0	8,0	24	24	26,5	30,5	BMBC-E2S	350
	10,0 - 14,0	8,0	24	24	26,5	30,0	BMBC-02S	350
	10,0 - 14,0	12,0	24	24	26,5	30,0	BMBE-02S	350
M25x1,5	7,0 - 12,0	8,0	24	27	30,0	30,0	BMBD-03	350
	7,0 - 12,0	12,0	24	27	30,0	30,0	BMBE-03R	350
	9,0 - 16,0	8,0	30	30	33,0	35,0	BMBD-03S	200
	9,0 - 16,0	12,0	30	30	33,0	35,0	BMBE-03SR	200
	10,0 - 14,0	8,0	24	27	30,0	30,0	BMBC-03	350
	10,0 - 14,0	12,0	24	27	30,0	30,0	BMBE-03	350
	11,0 - 17,0	8,0	27	27	30,0	32,5	BMBC-E3	350
	11,0 - 17,0	12,0	27	27	30,0	32,5	BMBE-E3	350
	13,0 - 18,0	8,0	30	30	33,0	35,0	BMBC-03S	200
	13,0 - 18,0	12,0	30	30	33,0	35,0	BMBE-03S	200
M32x1,5	9,0 - 16,0	9,0	30	34	37,5	35,0	BMBD-04	200
	9,0 - 16,0	15,0	30	34	37,5	35,0	BMBE-04R	200
	12,0 - 20,0	9,0	40	40	44,5	46,0	BMBD-04S	100
	12,0 - 20,0	15,0	40	40	44,5	46,0	BMBE-04SR	100
	13,0 - 18,0	9,0	30	34	37,5	35,0	BMBC-04	200
	13,0 - 18,0	15,0	30	34	37,5	35,0	BMBE-04	200
	15,0 - 21,0	8,0	34	34	37,5	38,0	BMBC-E4	200
	15,0 - 21,0	15,0	34	34	37,5	38,0	BMBE-E4	200
	18,0 - 25,0	9,0	40	40	44,5	46,0	BMBC-04S	100
	18,0 - 25,0	15,0	40	40	44,5	46,0	BMBE-04S	100
M40x1,5	12,0 - 20,0	9,0	40	43	48,5	40,5	BMBD-05	100
	12,0 - 20,0	15,0	40	43	48,5	40,5	BMBE-05R	100
	18,0 - 25,0	9,0	40	43	48,5	40,5	BMBC-05	100
	18,0 - 25,0	15,0	40	43	48,5	40,5	BMBE-05	100
	16,0 - 23,0	9,0	43	43	48,5	45,5	BMBD-E5	100
	16,0 - 23,0	15,0	43	43	48,5	45,5	BMBE-E5R	100
	19,0 - 28,0	9,0	43	43	48,5	45,5	BMBC-E5	100
	19,0 - 28,0	15,0	43	43	48,5	45,5	BMBE-E5	100
	22,0 - 32,0	9,0	50	50	55,5	54,5	BMBC-05S	50
22,0 - 32,0	15,0	50	50	55,5	54,5	BMBE-05S	50	
M50x1,5	20,0 - 26,0	9,0	50	55	61,0	50,0	BMBD-06	50
	20,0 - 26,0	15,0	50	55	61,0	50,0	BMBE-06R	50
	22,0 - 32,0	9,0	50	55	61,0	50,0	BMBC-06	50
	22,0 - 32,0	15,0	50	55	61,0	50,0	BMBE-06	50
	27,0 - 38,0	9,0	58	58	64,0	54,0	BMBC-E6	40
	27,0 - 38,0	15,0	58	58	64,0	54,0	BMBE-E6	40
	34,0 - 44,0	9,0	64	64	70,0	55,0	BMBC-06S	40
34,0 - 44,0	15,0	64	64	70,0	55,0	BMBE-06S	40	
M63x1,5	29,0 - 35,0	10,0	64	68	75,0	56,0	BMBD-E7	40
	29,0 - 35,0	14,0	64	68	75,0	55,0	BMBD-07	40
	29,0 - 35,0	18,0	64	68	75,0	55,0	BMBE-07R	40
	34,0 - 44,0	10,0	64	68	75,0	55,0	BMBC-E7	40
	34,0 - 44,0	15,0	64	68	75,0	56,0	BMBE-E7	40
	34,0 - 44,0	14,0	64	68	75,0	55,0	BMBC-07	40
	34,0 - 44,0	18,0	64	68	75,0	55,0	BMBE-07	40
	37,0 - 53,0	10,0	75	75	83,0	53,0	BMBC-07S	20
	37,0 - 53,0	18,0	75	75	83,0	53,0	BMBE-07S	20

# Standard Cable Glands with Thread, Brass

## Brass cable glands with lamellar clamping

- For standard industrial applications in harsh environments.
- Easy assembly.
- High quality strain relief and sealing reliable performance for standard industrial applications.
- Up-to-date international approvals

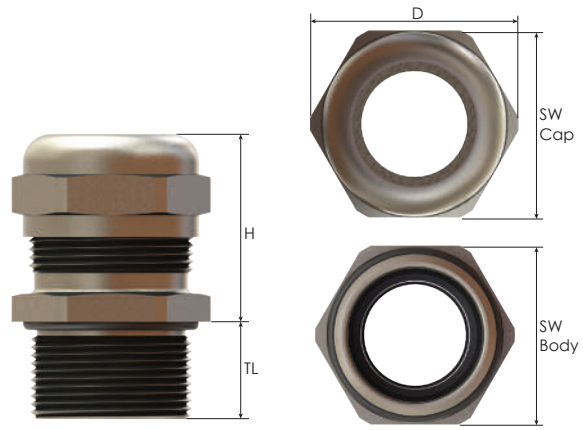
Technical Details		
<b>Material</b>	<b>Body, Cap</b>	Brass Nickel plated
	<b>Seal</b>	CR (Chloroprene)
	<b>Clamping Insert</b>	PA 6 (Polyamide 6)
	<b>O-Ring</b>	NBR
<b>Ingress Protection Rating</b>	IP 68 - 5 Bar, 30 min IP 66	
<b>Flammability</b>	V2 according to UL94	
<b>Operating Temperature</b>	<b>Permanent</b>	-20 °C to +100 °C
	<b>Intermittent</b>	-40 °C to +150 °C
<b>Thread Type</b>	<ul style="list-style-type: none"> <li>• Metric EN 60423</li> <li>• NPT ANSI B1.20.1</li> <li>• PG DIN 40430</li> <li>• Other thread types also available upon request.</li> </ul>	
<b>Cable Type</b>	Non armoured	
<b>Accessories</b>	<ul style="list-style-type: none"> <li>• Lock nuts</li> <li>• Dome plugs</li> <li>• Reducing seals</li> <li>• Flat cable seals</li> <li>• Multihole seals</li> <li>• Gaskets (Washers)</li> </ul>	
	<ul style="list-style-type: none"> <li>• Manufactured according to DIN EN 62444/50262.</li> <li>• We recommend the use of lock nuts and gaskets to ensure IP rating for rough surfaces or through holes.</li> <li>• Some approvals do not cover all sizes.</li> <li>• O-ring available in Metric and PG threads as a standard. For NPT threads O-ring available upon request.</li> <li>• Accessories must be ordered separately.</li> </ul>	
<b>Remarks</b>		
Approvals	Certificate Number	Standards
	40040034	acc. to DIN EN 62444
	E199260	UL514B CSA22.2 No 18.3-12 CSA22.2 No 94.2-1S
		UL50E
<b>TYPE 4x</b>		
	E-14047	EN62444

For more approvals: see our webpage.



Order Coding			
Part Number	Gasket (Washer)	Lock Nut	Sealing Plug
Mandatory	- Option	Option	Option
See table	- WC Chloroprene WS Silicone	L Lock Nut	P Dome Plug T Dust Plug
Example			
BMBE-E4	- WC	L	P

# Standard Cable Glands with Thread, Brass



## Thread Type **NPT** acc. to ANSI B1.20.1

Outer Thread Size (Male)	Clamping Range Ø min-max mm	Outer Thread Length TL mm	Spanner Width		Outer Ø D mm	max. Height H mm		Part Number	Minimum Order Quantity
			Cap SW Cap mm	Body SW Body mm					
NPT 3/8"	2,0 - 6,0	11,5	17	19	21,0	25,5	BNBD-01	900	
	3,0 - 7,0	11,5	20	20	22,0	31,5	BNBD-01S	600	
	4,0 - 8,0	11,5	17	19	21,0	25,5	BNBC-01	900	
	5,0 - 10,0	11,5	20	20	22,0	31,5	BNBC-01S	600	
NPT 1/2"	5,0 - 9,0	13,0	22	22	24,5	27,5	BNBD-02	500	
	6,0 - 12,0	13,0	22	22	24,5	27,5	BNBC-02	500	
	7,0 - 12,0	13,0	24	24	26,8	30,0	BNBD-02S	350	
	10,0 - 14,0	13,0	24	24	26,8	30,0	BNBC-02S	350	
NPT 3/4"	9,0 - 16,0	13,0	30	30	33,0	38,0	BNBD-03	350	
	13,0 - 18,0	13,0	30	30	33,0	38,0	BNBC-03	350	
NPT 1"	12,0 - 20,0	13,0	40	43	48,5	45,5	BNBD-04	200	
	18,0 - 25,0	13,0	40	43	48,5	45,5	BNBC-04	200	
NPT 1 1/4"	22,0 - 32,0	25,6	50	50	55,5	50,0	BNBC-05	50	
NPT 1 1/2"	30,0 - 38,0	26,0	58	58	64,0	51,0	BNBC-06	40	
NPT 2"	34,0 - 44,0	27,0	64	64	70,0	55,0	BNBC-07	40	

## Thread Type **PG** acc. to DIN 40430

Outer Thread Size (Male)	Clamping Range Ø min-max mm	Outer Thread Length TL mm	Spanner Width		Outer Ø D mm	max. Height H mm		Part Number	Minimum Order Quantity
			Cap SW Cap mm	Body SW Body mm					
PG 7	2,0 - 5,0	6,0	14	14	15,5	24,0	BSBD-01	1000	
	2,0 - 5,0	10,0	14	14	15,5	24,0	BSBE-01R	1000	
	3,0 - 6,5	6,0	14	14	15,5	24,0	BSBC-01	1000	
	3,0 - 6,5	10,0	14	14	15,5	24,0	BSBE-01	1000	
PG 9	2,0 - 6,0	6,0	17	17	18,9	25,5	BSBD-02	900	
	2,0 - 6,0	10,0	17	17	18,9	25,5	BSBE-02R	900	
	4,0 - 8,0	6,0	17	17	18,9	25,5	BSBC-02	900	
	4,0 - 8,0	10,0	17	17	18,9	25,5	BSBE-02	900	
PG 11	3,0 - 7,0	6,0	20	20	22,0	28,0	BSBD-03	600	
	3,0 - 7,0	10,0	20	20	22,0	28,0	BSBE-03R	600	
	5,0 - 10,0	6,0	20	20	22,0	28,0	BSBC-03	600	
	5,0 - 10,0	10,0	20	20	22,0	28,0	BSBE-03	600	
PG 13,5	5,0 - 9,0	6,5	22	22	24,5	26,5	BSBD-04	500	
	5,0 - 9,0	10,0	22	22	24,5	26,5	BSBE-04R	500	
	6,0 - 12,0	6,5	22	22	24,5	26,5	BSBC-04	500	
	6,0 - 12,0	10,0	22	22	24,5	26,5	BSBE-04	500	
PG 16	7,0 - 12,0	6,5	24	24	26,5	30,0	BSBD-05	400	
	7,0 - 12,0	10,0	24	24	26,5	30,0	BSBE-05R	400	
	10,0 - 14,0	6,5	24	24	26,5	30,0	BSBC-05	400	
	10,0 - 14,0	10,0	24	24	26,5	30,0	BSBE-05	400	
PG 21	9,0 - 16,0	7,2	30	30	33,0	35,0	BSBD-06	200	
	9,0 - 16,0	12,0	30	30	33,0	35,0	BSBE-06R	200	
	13,0 - 18,0	7,2	30	30	33,0	35,0	BSBC-06	200	
	13,0 - 18,0	12,0	30	30	33,0	35,0	BSBE-06	200	
PG 29	12,0 - 20,0	8,0	40	40	44,5	40,5	BSBD-07	100	
	12,0 - 20,0	12,0	40	40	44,5	40,5	BSBE-07R	100	
	18,0 - 25,0	8,0	40	40	44,5	40,5	BSBC-07	100	
	18,0 - 25,0	12,0	40	40	44,5	40,5	BSBE-07	100	
PG 36	20,0 - 26,0	9,0	50	50	55,5	50,0	BSBD-08	50	
	20,0 - 26,0	14,0	50	50	55,5	50,0	BSBE-08R	50	
	22,0 - 32,0	9,0	50	50	55,5	50,0	BSBC-08	50	
	22,0 - 32,0	14,0	50	50	55,5	50,0	BSBE-08	50	
PG 42	25,0 - 31,0	12,0	58	58	64,0	51,0	BSBD-09	40	
	25,0 - 31,0	16,0	58	58	64,0	51,0	BSBE-09R	40	
	30,0 - 38,0	12,0	58	58	64,0	51,0	BSBC-09	40	
	30,0 - 38,0	16,0	58	58	64,0	51,0	BSBE-09	40	
PG 48	29,0 - 35,0	14,0	64	64	70,0	54,5	BSBD-10	40	
	29,0 - 35,0	18,0	64	64	70,0	54,5	BSBE-10R	40	
	34,0 - 44,0	14,0	64	64	70,0	54,5	BSBC-10	40	
	34,0 - 44,0	18,0	64	64	70,0	54,5	BSBE-10	40	