



# THE WORLD OF ENCLOSURES

**CSATARI PLAST LTD.**  
GRP enclosures and accessories



Member of Jager - Holding

**Csatari Plast Ltd.** was founded in 1995 in Nemesvamos, near Lake Balaton, Hungary. The company is 100% privately owned by prominent entrepreneur Laszlo Csatari.

Csatari Plast represents a major force in the field of high quality glass-fiber reinforced polyester enclosures, and it develops, produces and sells comprehensive and competitively priced products in the field of electrical metering cabinets and distribution boards.

Csatari Plast maintains a large metal workshop where besides the metal components, the press moulds are designed, developed and produced.

### Nemesvamos

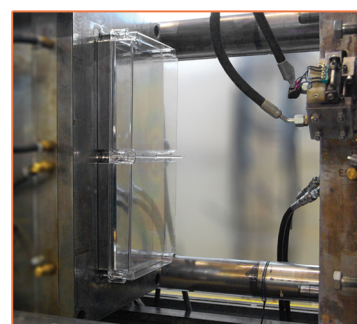
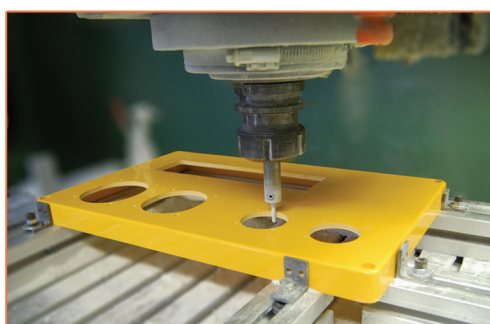


Thanks to its flexibility, Csatari Plast is able to ensure that its products are available whenever and wherever customers want them.

### Herend

All the enclosures produced by Csatari Plast comply with relevant international standards, and they are fire and UV resistant.





CSP series  
Industrial enclosures 4-12



JB series  
Outdoor cabinets 13-20



PVT series  
Modular enclosures 21-27



Accessories 28-30



GRP (Glass-fibre Reinforced Polyester) enclosures are designed to meet the high requirements of mining-, petrochemical-, construction-, and shipbuilding industries. They are highly resistant against most solvents and acids which makes them suitable for refineries and other chemically aggressive surroundings like road tunnels. The enclosures comply with the protection class IP 65 depending on the gasket used. The lid screws are made of stainless steel.

Dimensions mm (Length x Width x Height)

Type	Length	Width	Height
CSP 080806	80	75	55
CSP 080808	80	75	75
CSP 081106	110	75	55
CSP 081606	160	75	55
CSP 081806	190	75	55
CSP 121209	122	120	90
CSP 122209	220	120	90
CSP 161609	160	160	90
CSP 162609	260	160	90
CSP 163609	360	160	90
CSP 202512	250	200	120
CSP 252512	255	250	120
CSP 252516	255	250	160
CSP 402512	400	250	120
CSP 402516	400	250	160
CSP 404012	400	400	120
CSP 602512	600	250	120
CSP 602516	600	250	160

Glass fibre reinforced compressed enclosure base and cover.

IP 65 protection.

Weather and shock resistant, flame proof.

Colour:

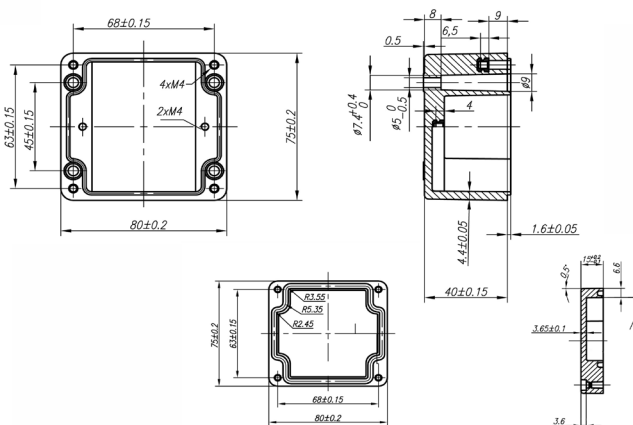
RAL 7000 – grey,

RAL 7032 – beige,

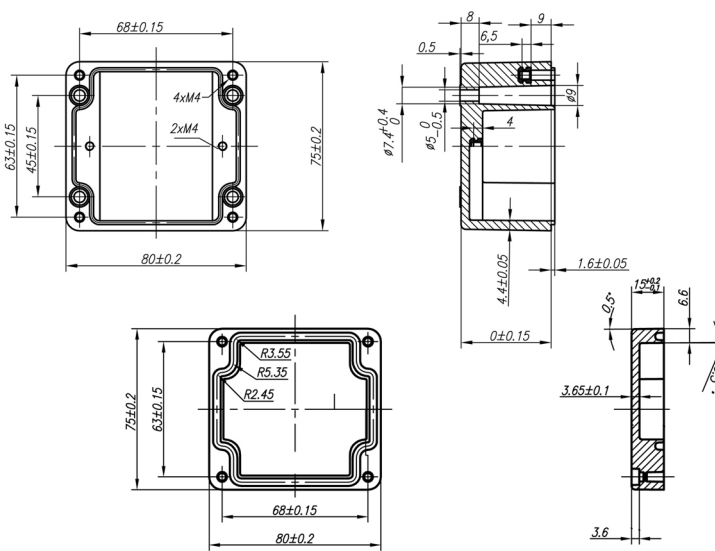
RAL 9005 – black (anti-static).



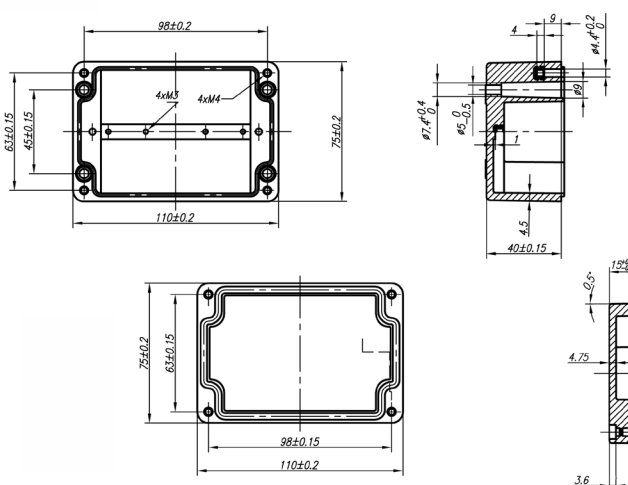
CSP 080806



CSP 080808



CSP 081106

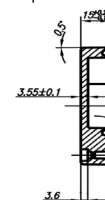
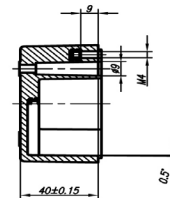
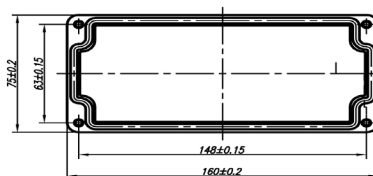
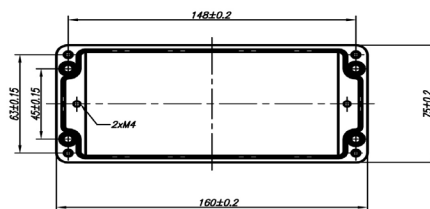


divizio@csatariplast.hu  
www.csatariplast.hu

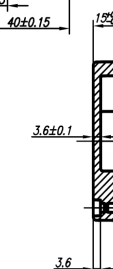
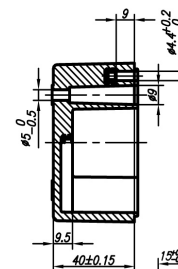
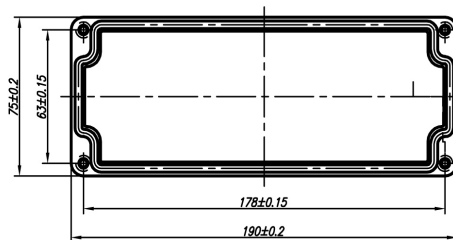
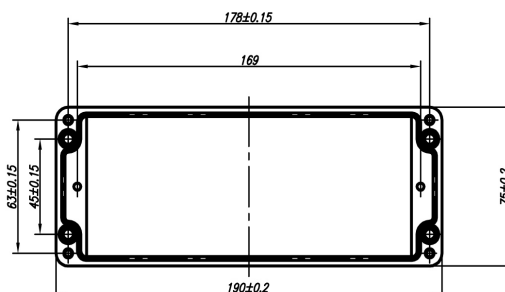
plast@csatariplast.hu  
www.csatariplast.hu

CSP 081606

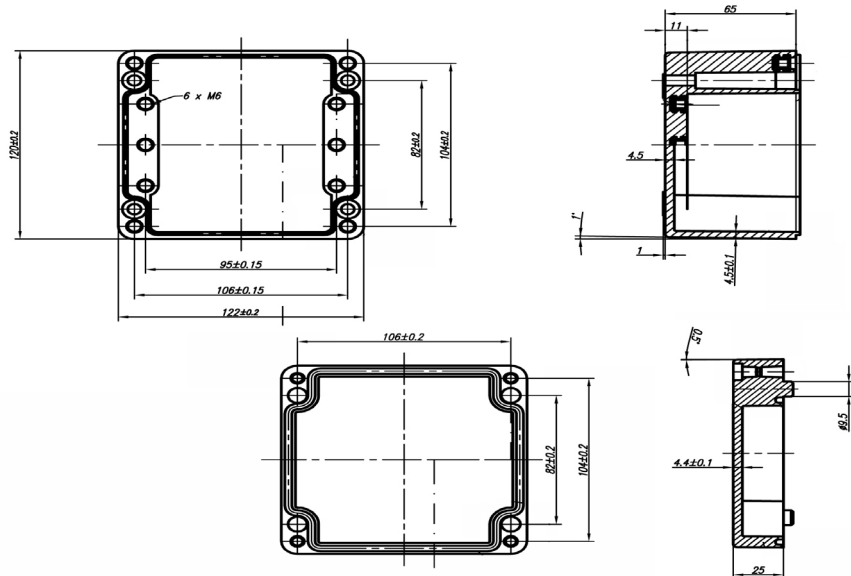
GRP ENCLOSURES



CSP 081906

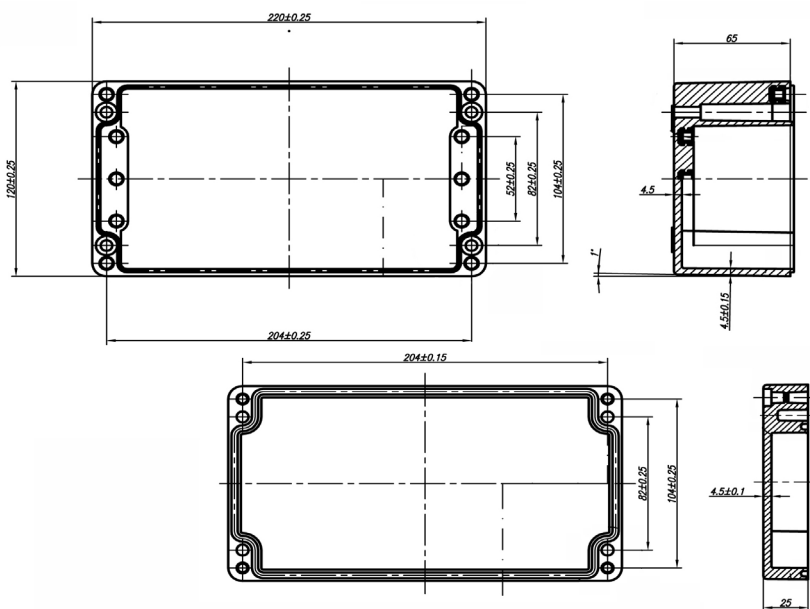


CSP 121209



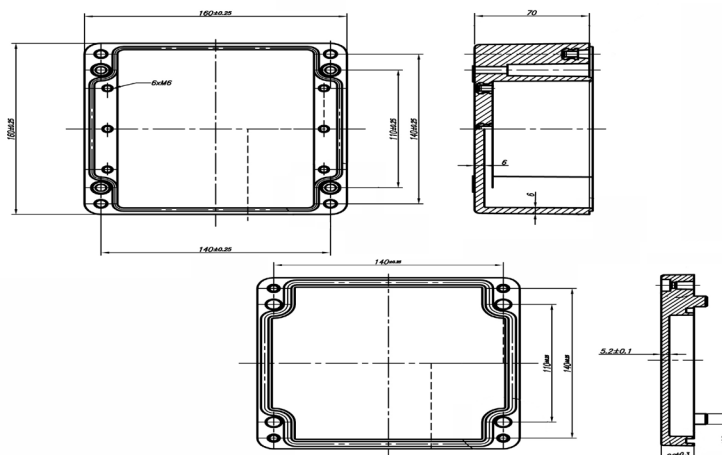
GRP ENCLOSURES

CSP 122209

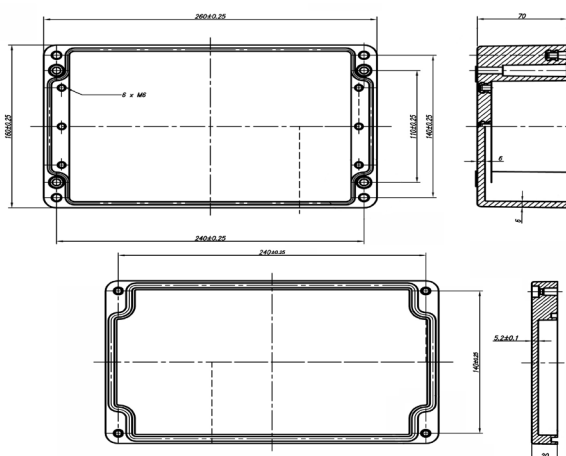


GRP ENCLOSURES

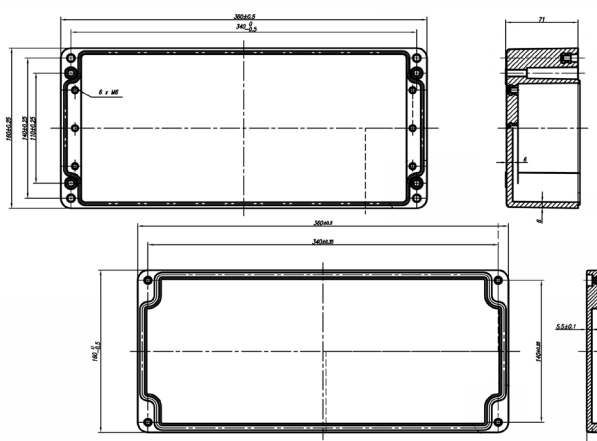
CSP 161609



CSP 162609

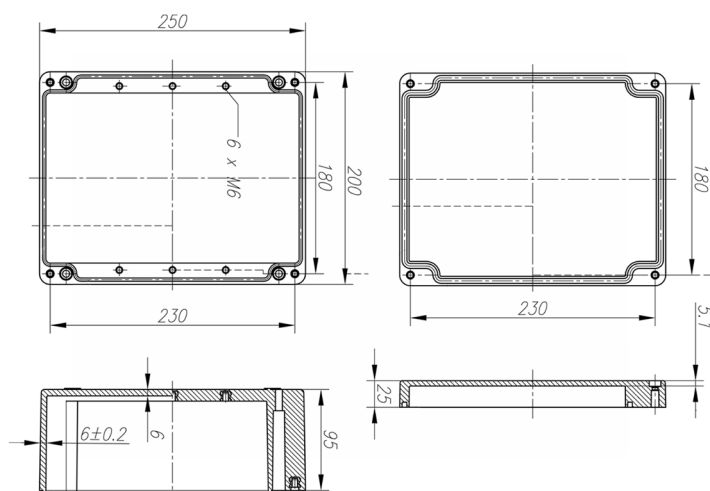


CSP 163609

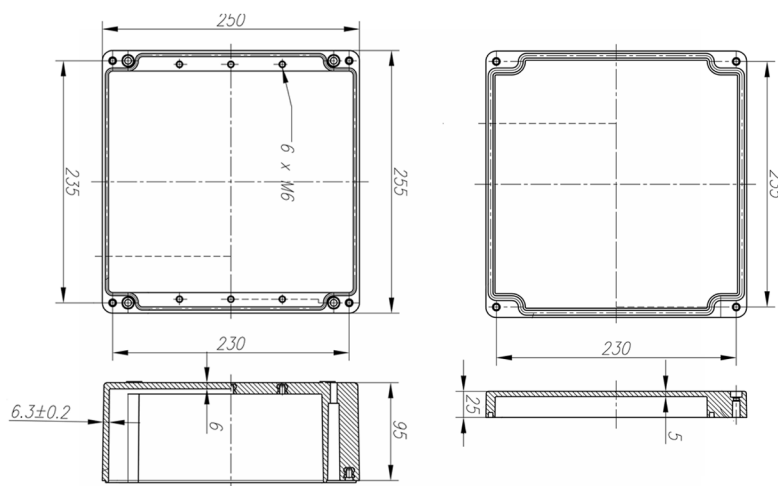




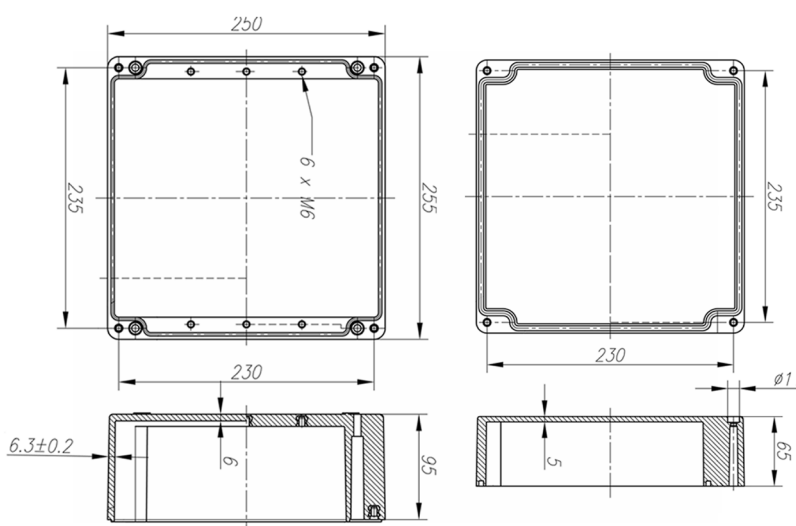
CSP 202512



CSP 252512



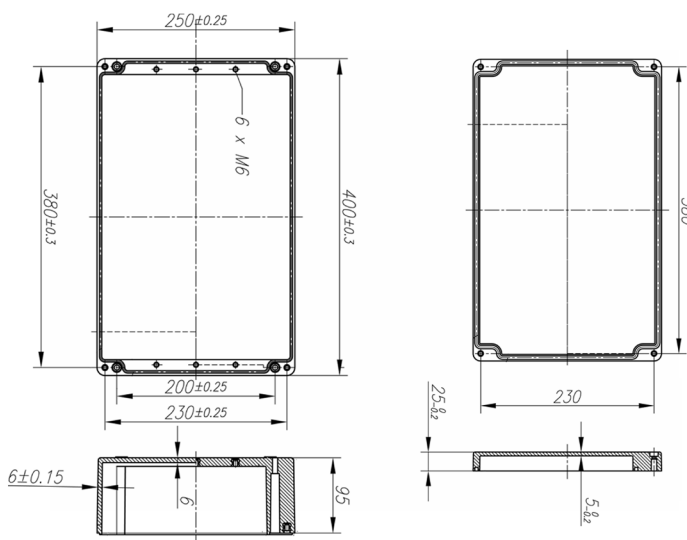
CSP 252516



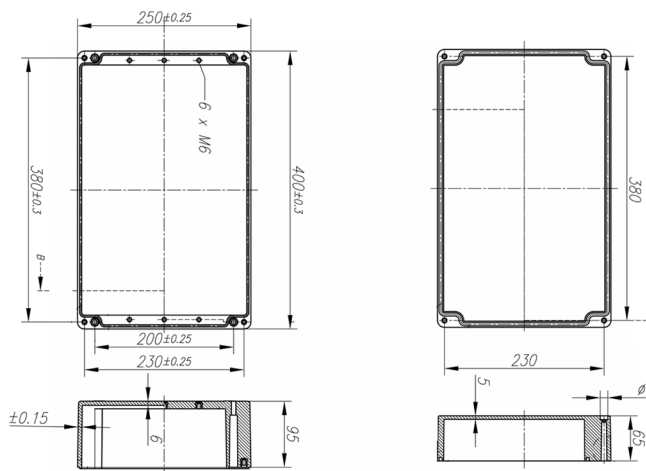
GRP ENCLOSURES

GRP ENCLOSURES

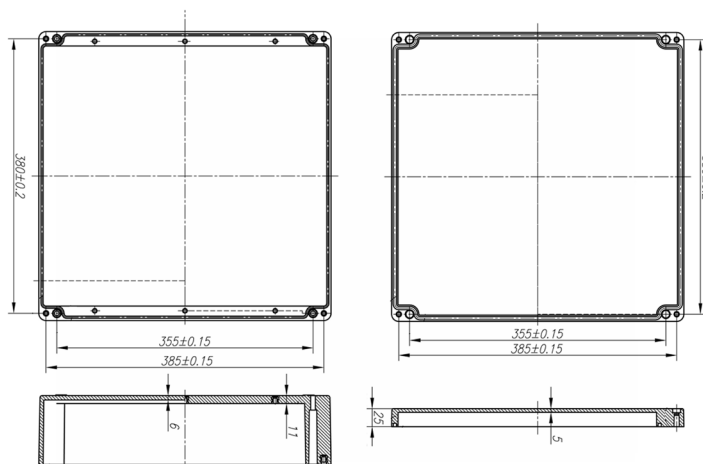
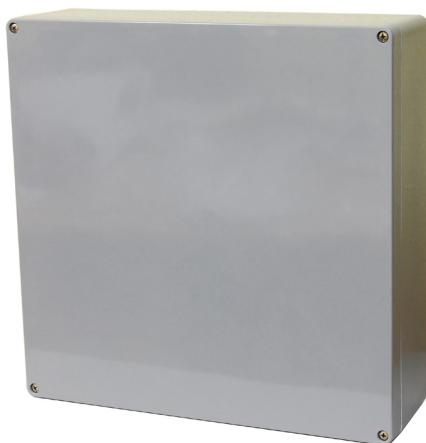
CSP 402512



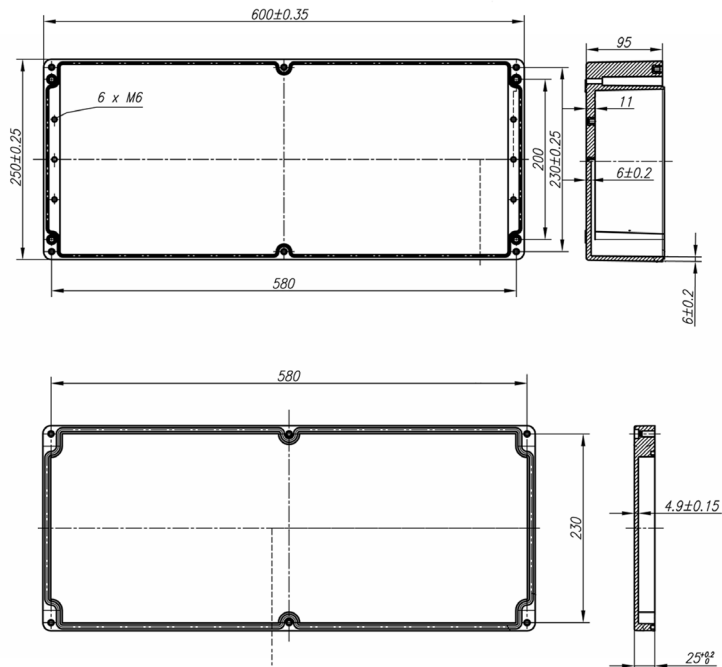
CSP 402516



CSP 404012

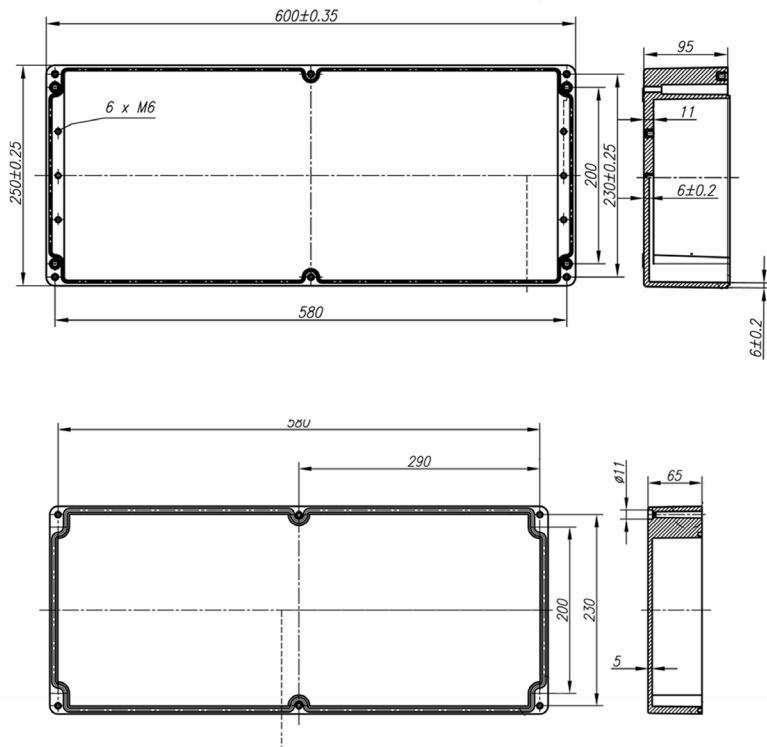


CSP 602512



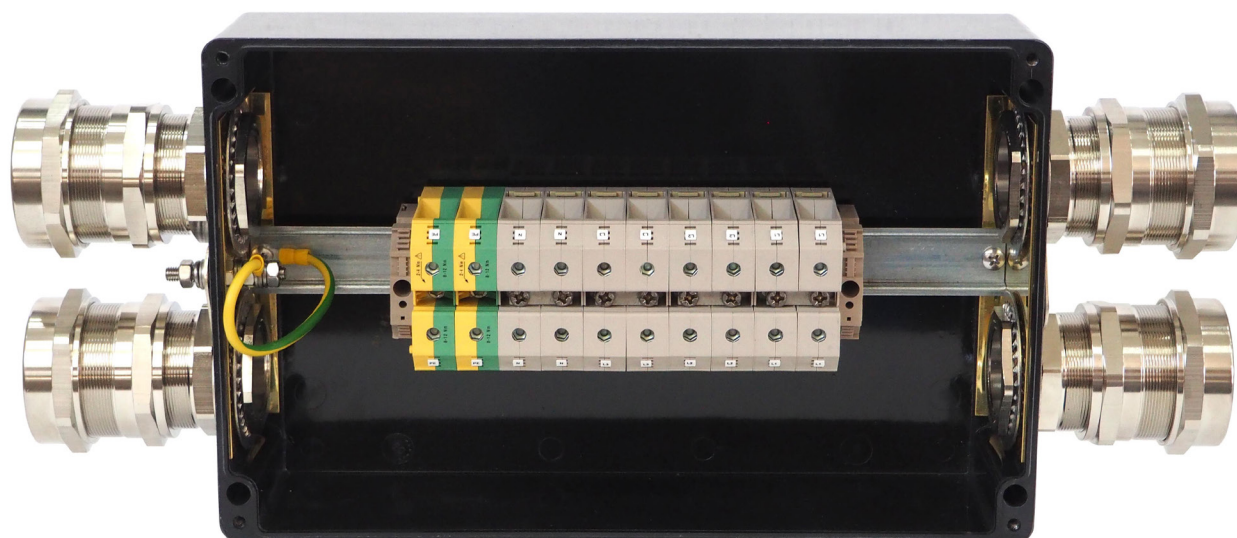
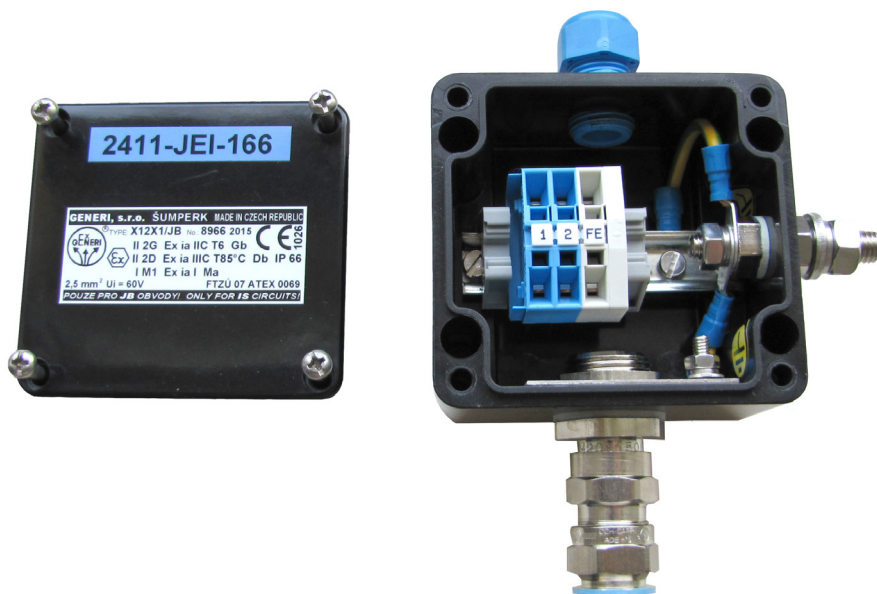
GRP ENCLOSURES

CSP 602516



GRP ENCLOSURES FOR INDUSTRIAL PURPOSES (SUITABLE FOR ATEX APPLICATIONS)

GRP ENCLOSURES



JAGER outdoor cabinets are made of fire retardant and UV stable polyester with 27% glass fibre content. The cabinets are available in many dimensions and they can be used as energy distribution cabinets, gas and electricity meter boxes.

### AVAILABLE DIMENSIONS (mm):

265×460×250, 265×590×250, 265×900×250  
400×460×250, 400×590×250, 400×900×250, 400×900×320  
530×460×250, 530×590×250, 530×900×250, 530×900×320  
665×460×250, 665×590×250, 665×900×250, 665×900×320  
800×460×250, 800×590×250, 800×900×250, 800×900×320

### TECHNICAL DATA:

Nominal insulation voltage: 660V

Nominal current: 600A

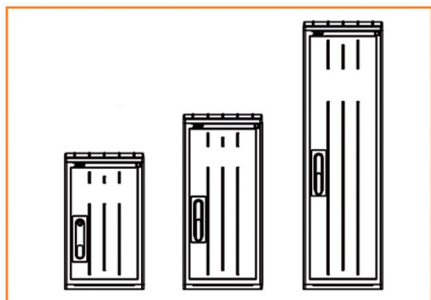
Protection: IP44

Class of protection: II

Colour: RAL 7035



JB 26

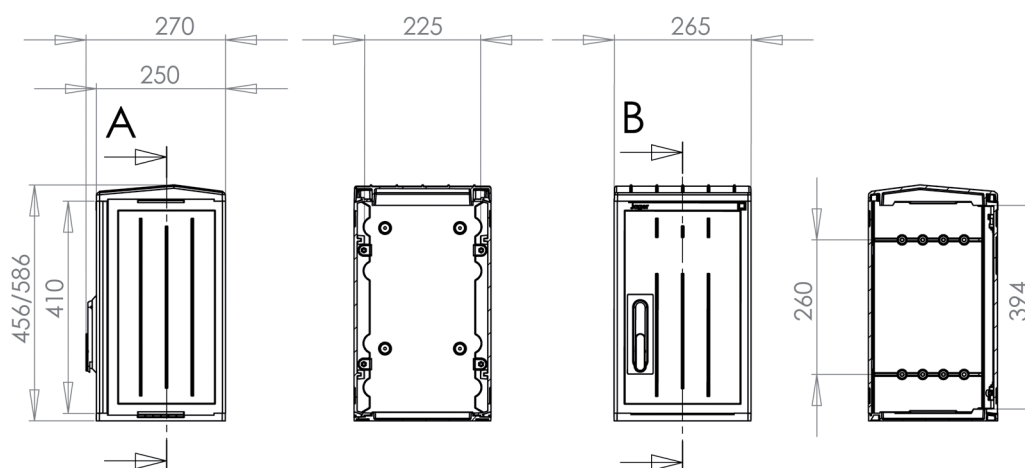


JB 26x46/25

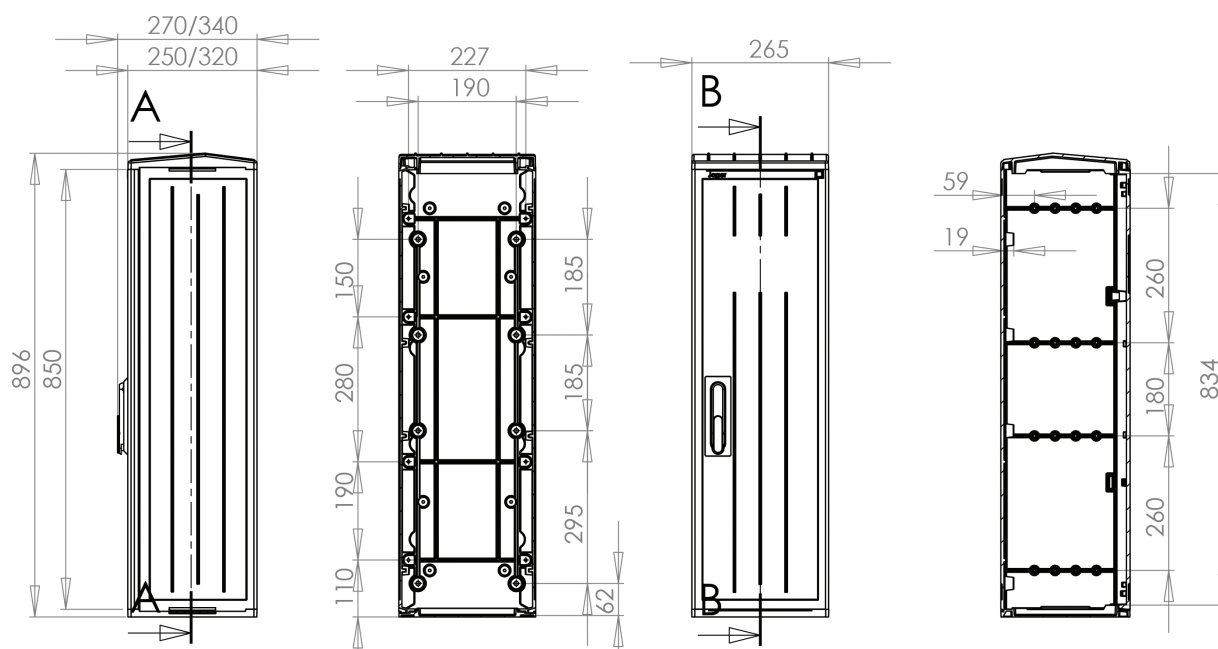
JB 26x59/25

JB 26x90/25

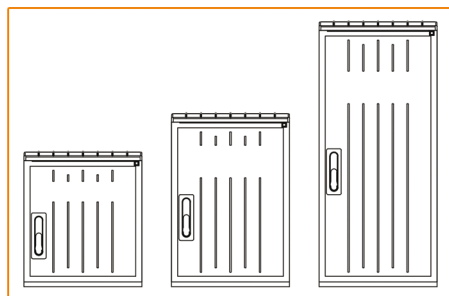
JB 26x46/25 and JB 26x59/25



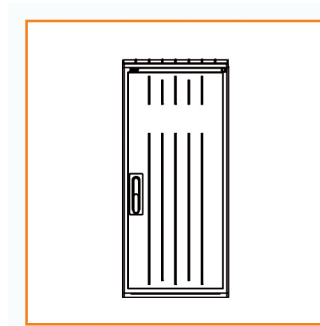
JB 26x90/25



JB 40

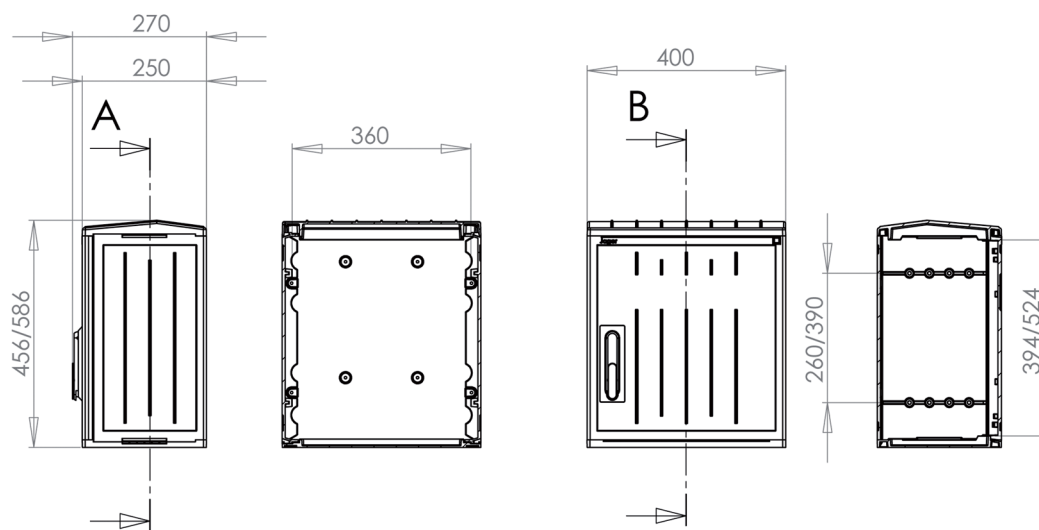


JB 40x46/25  
JB 40x59/25  
JB 40x90/25

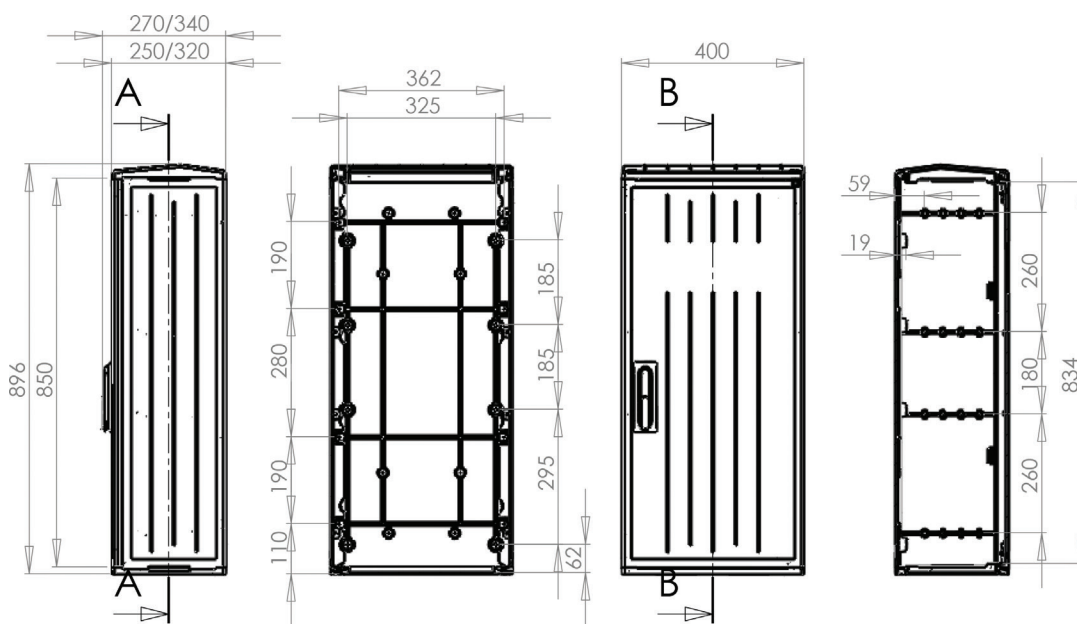


JB 40x90/32

JB 40x46/25 and JB 40x59/25

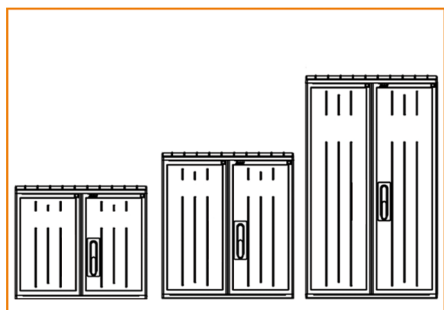


JB 40x90/25, JB 40x90/32

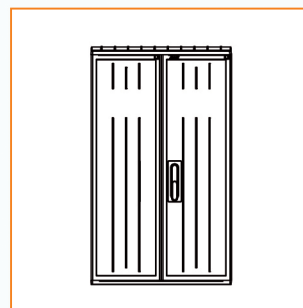


JAGER OUTDOOR  
CABINETS

JB 53



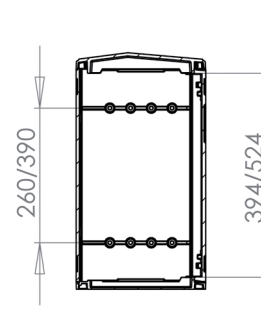
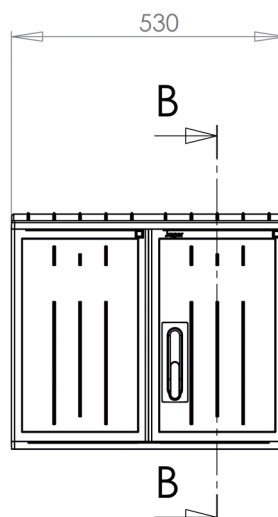
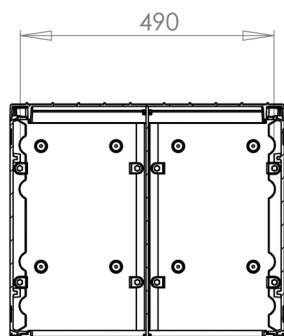
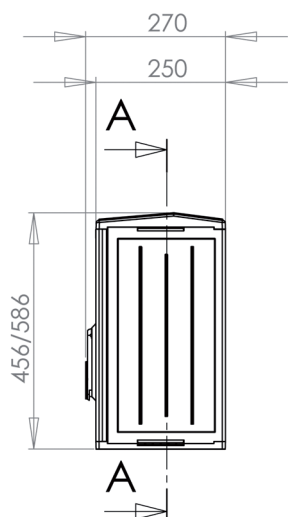
JB 53x46/25  
JB 53x59/25  
JB 53x90/25



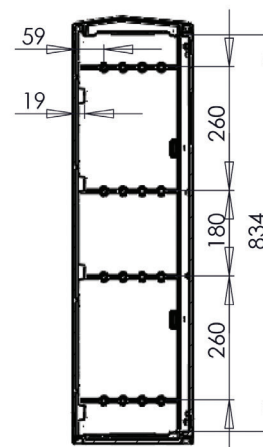
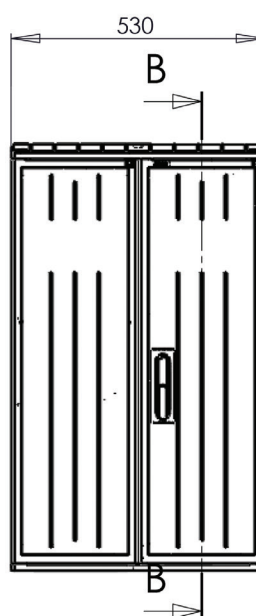
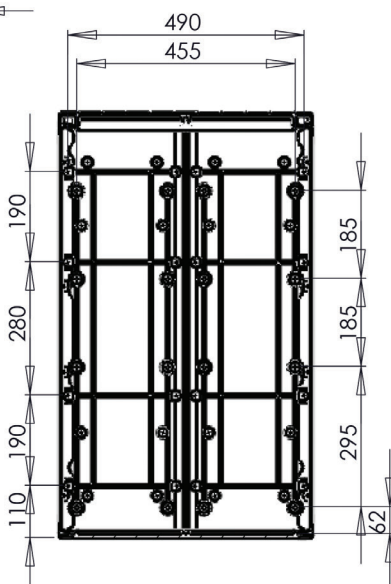
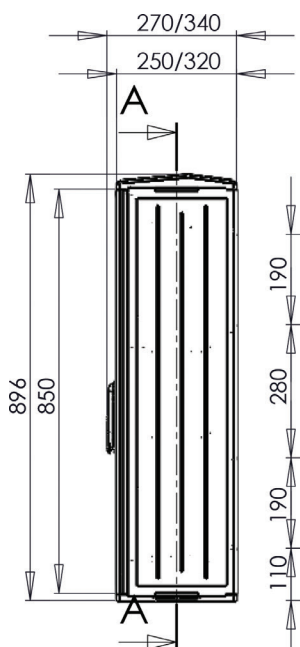
JB 53x90/32

JAGER OUTDOOR  
CABINETS

JB 53x46/25 and JB 53x59/25



JB 53x90/25, JB 53x90/32

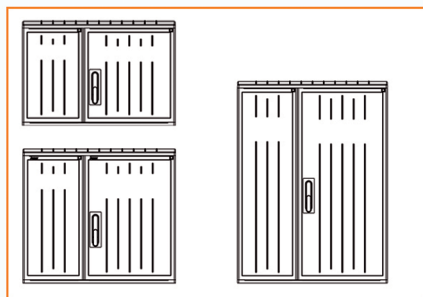


divizio@csatariplast.hu  
www.csatariplast.hu

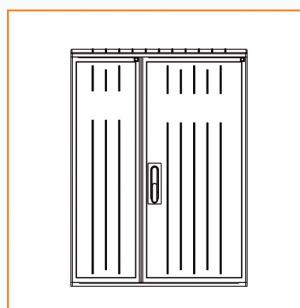
plast@csatariplast.hu  
www.csatariplast.hu



JB 66

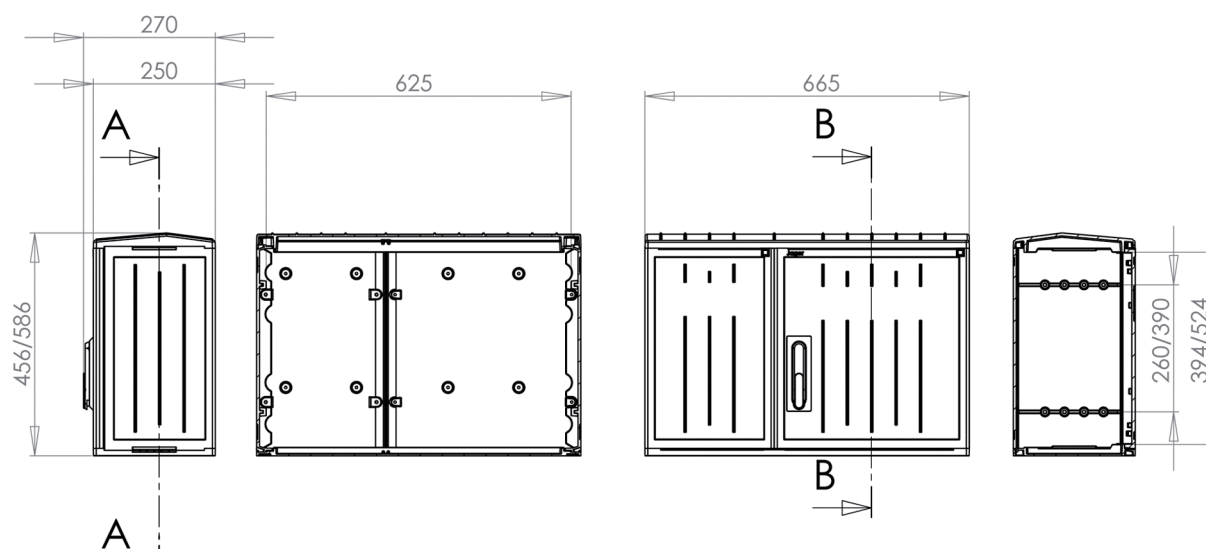


JB 66x46/25  
JB 66x59/25  
JB 66x90/25

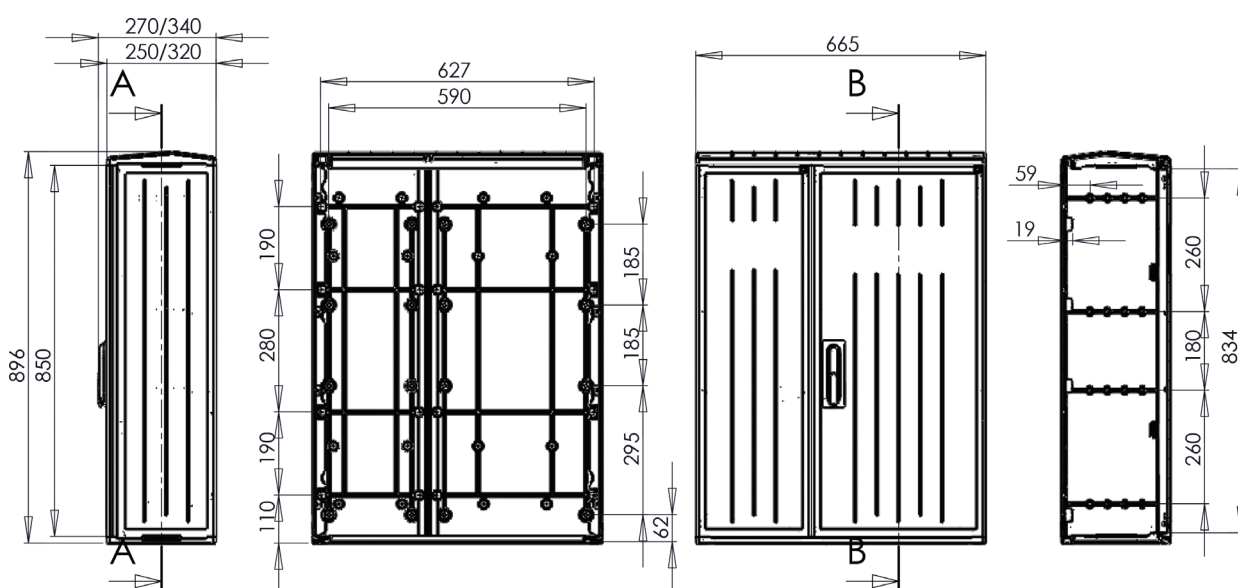


JB 66x90/32

JB 66x46/25 and JB 66x59/25



JB 66x90/25, JB 66x90/32

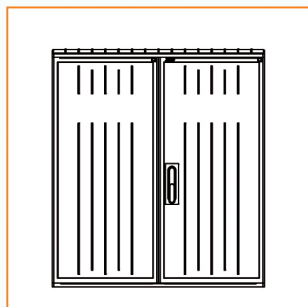


JAGER OUTDOOR  
CABINETS

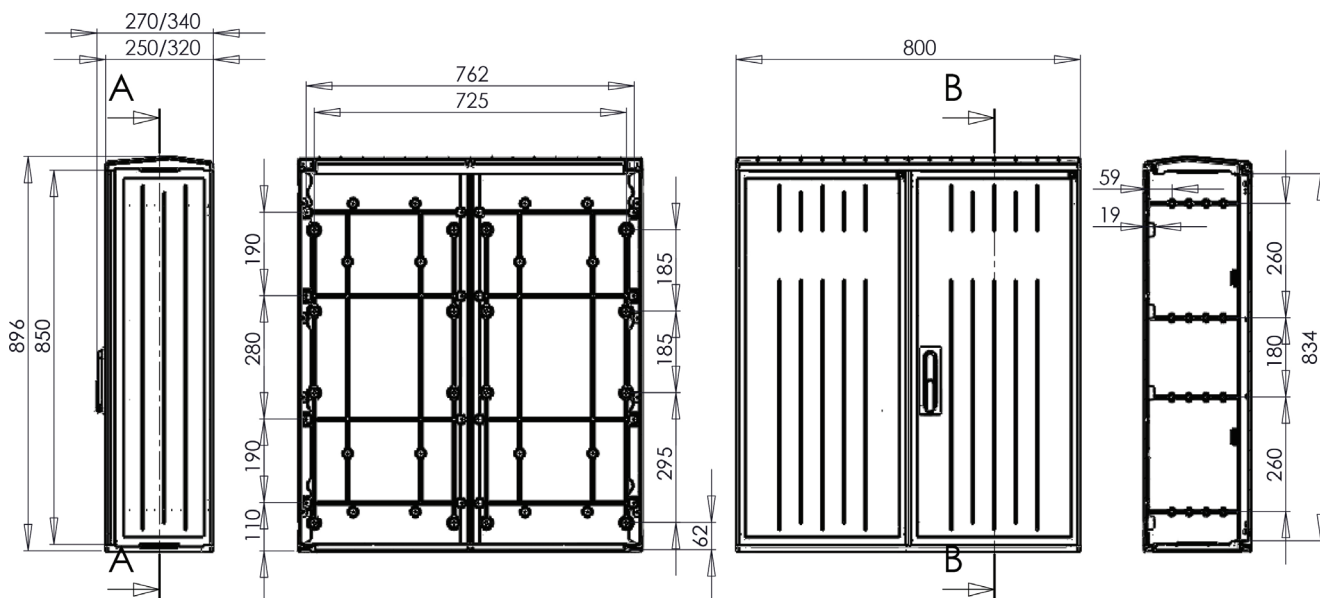
JB 80

JB 80x90/25

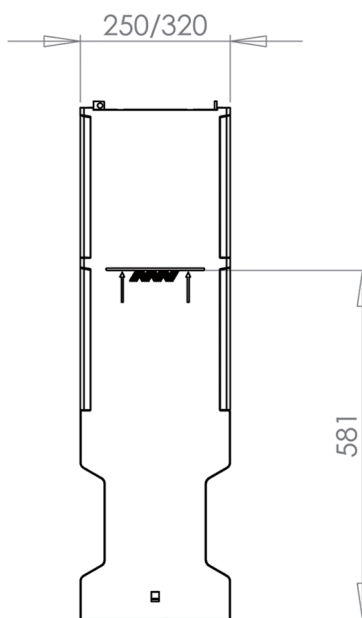
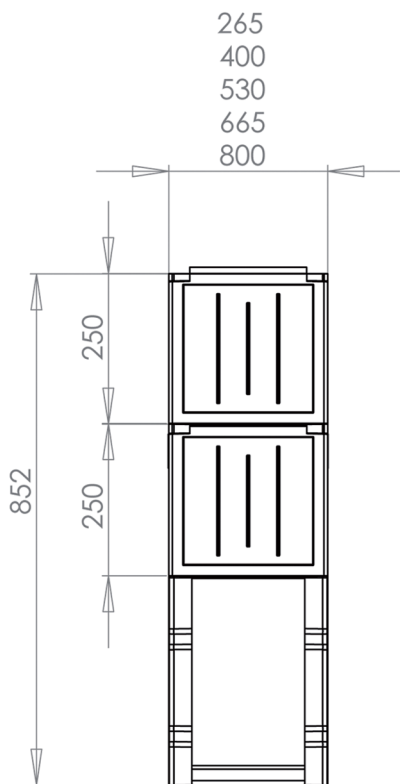
JB 80x90/32



JB 80x90/25, JB 80x90/32



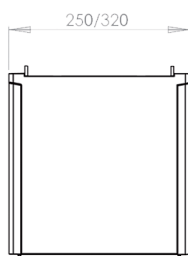
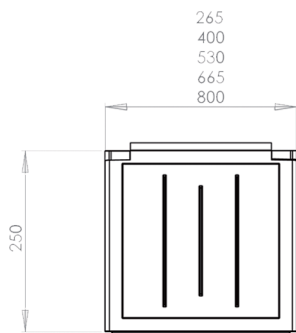
**Pedestals**



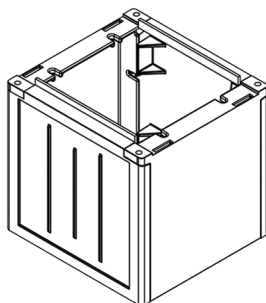
- |      |         |
|------|---------|
| F 26 | F 40/32 |
| F 40 | F 53/32 |
| F 53 | F 66/32 |
| F 66 | F 80/32 |
| F 80 |         |

JAGER OUTDOOR  
CABINETS

**Cable bases**



- |      |         |
|------|---------|
| K 26 |         |
| K 40 | K 40/32 |
| K 53 | K 53/32 |
| K 66 | K 66/32 |
| K 80 | K 80/32 |



JAGER OUTDOOR  
CABINETS



These high impact resistance modular boxes are suitable for both indoor and outdoor use. All the enclosures and their accessories are made of UV stable and self-extinguishing material. With the use of suitable accessories, the boxes can be adapted to many different uses: from single-box metering enclosures to a complete panel-board. The base is made of glass-fibre reinforced polyester, the transparent or non-transparent top is made of high quality polycarbonate.

### TECHNICAL DATA:

#### PVT type boxes:

Bottom: glass fiber reinforced polyester

Cover: polycarbonate , RAL 7035 color

Mounting plate: flame resistant and good impact resistance polyester

#### PVT F type boxes:

Bottom: polycarbonate

Cover: polycarbonate , RAL 7035 color

Mounting plate: - flame resistant and good impact resistance polyester

#### PVT SMC type boxes:

Bottom: glass fiber reinforced polyester

Cover: glass fiber reinforced polyester

Mounting plate: flame resistant and good impact resistance polyester



Nominal insulation voltage: 1000 Vcc, s SR HD 60364-7-712:2005

Protection: IP 65

The protection might change depending on the protection level of the built in parts (eg.: sockets), excellent UV-, flame- and impact resistance.

Contact protection class: II.

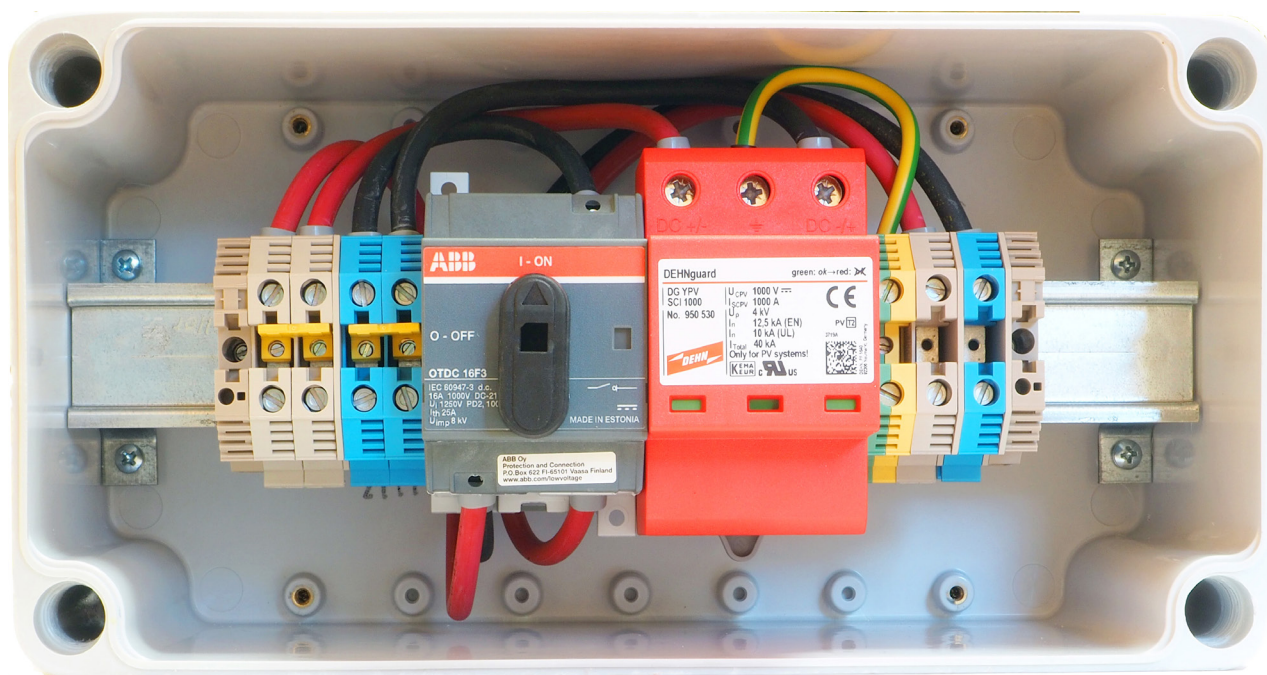
Environmental temperature: glass fiber reinforced polyester bottom -250C + 2000C ,  
PC bottom -250C + 1200C , polycarbonate cover -400C + 1200C

EN: 61439/1

Types:

-empty enclosures, single phase meterboxes, three phase meterboxes, power switch enclosures, fuse enclosures, busbar enclosures, current transformer units, lightning protection units, outdoor units, measuring stations

PVT TYPE ENCLOSURES





### **PVT SMC 1530 NAF**

150x300x700mm

Bottom: GRP (glass fibre reinforced polyester)

Top: GRP (glass fibre reinforced polyester)

IP 65



### **PVT SMC 3030 NAF**

300x300x700mm

Bottom: GRP (glass fibre reinforced polyester)

Top: GRP (glass fibre reinforced polyester)

IP 65



### **PVT SMC 3045 NAF**

300x600x170mm

Bottom: GRP (glass fibre reinforced polyester)

Top: GRP (glass fibre reinforced polyester)

IP 65



### **PVT SMC 3060 NAF**

300x600x170mm

Bottom: GRP (glass fibre reinforced polyester)

Top: GRP (glass fibre reinforced polyester)

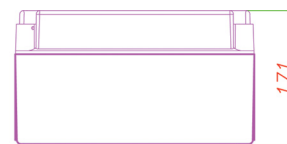
IP 65

PVT TYPE ENCLOSURES

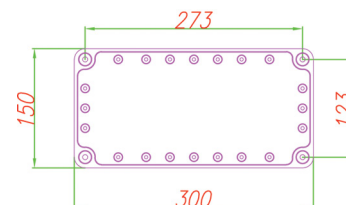
PVT TYPE ENCLOSURES



**PVT 1530 AF**  
 150x300x170mm  
 Bottom: GRP (glass fibre reinforced polyester)  
 Top: polycarbonate  
 IP 65



**PVT 1530 NAF**  
 150x300x700mm  
 Bottom: GRP (glass fibre reinforced polyester)  
 Top: polycarbonate  
 IP 65



**PVT F 1530 AF**  
 150x300x170mm  
 Bottom: polycarbonate  
 Top: polycarbonate  
 IP 65



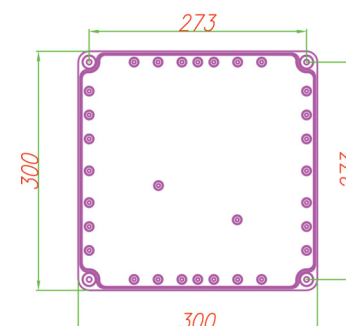
**PVT F 1530 NAF**  
 150x300x170mm  
 Bottom: polycarbonate  
 Top: polycarbonate  
 IP 65



**PVT 3030 AF**  
 300x300x170mm  
 Bottom: GRP (glass fibre reinforced polyester)  
 Top: polycarbonate  
 IP 65



**PVT 3030 NAF**  
 300x300x700mm  
 Bottom: GRP (glass fibre reinforced polyester)  
 Top: polycarbonate  
 IP 65







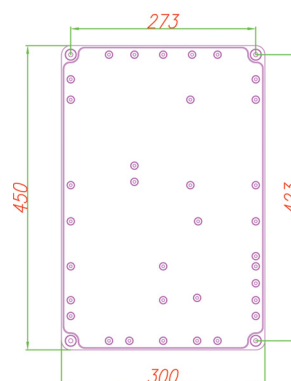
**PVT F 3030 AF**  
 300x300x170mm  
 Bottom: polycarbonate  
 Top: polycarbonate  
 IP 65.

**PVT F 3030 NAF**  
 300x300x170mm  
 Bottom: polycarbonate  
 Top: polycarbonate  
 IP 65



**PVT 3045-17 AF**  
 300x450x170mm  
 Bottom: GRP (glass fibre reinforced polyester)  
 Top: polycarbonate  
 IP 65

**PVT 3045-17 NAF**  
 300x450x170mm  
 Bottom: GRP (glass fibre reinforced polyester)  
 Top: polycarbonate  
 IP 65



**PVT 3045-20 AF**  
 300x450x200mm  
 Bottom: GRP (glass fibre reinforced polyester)  
 Top: polycarbonate  
 IP 65

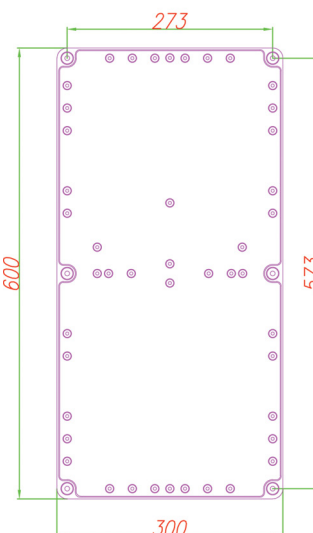
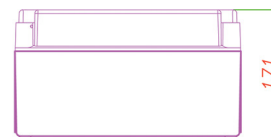
**PVT 3045-20 NAF**  
 300x450x200mm  
 Bottom: GRP (glass fibre reinforced polyester)  
 Top: polycarbonate  
 IP 65

PVT TYPE ENCLOSURES



**PVT 3060 AF**  
300x600x170mm  
Bottom: GRP (glass fibre reinforced polyester)  
Top: polycarbonate  
IP 65

**PVT 3060 NAF**  
300x600x170mm  
Bottom: GRP (glass fibre reinforced polyester)  
Top: polycarbonate  
IP 65



**PVT 6045-17 AF**  
450x600x170mm  
Bottom: GRP  
Top: polycarbonate  
IP 65

**PVT 6045-17 NAF**  
450x600x170mm  
Bottom: GRP  
Top: polycarbonate  
IP 65

**PVT 6045-20 AF**  
450x600x200mm  
Bottom: GRP  
Top: polycarbonate  
IP 65

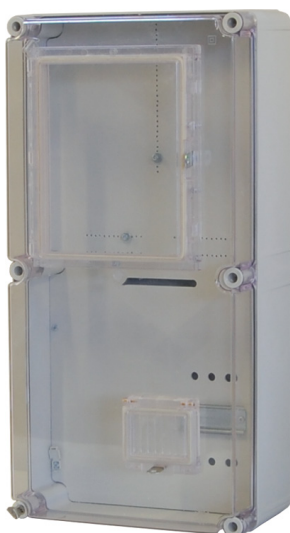
**PVT 6045-20 NAF**  
450x600x200mm  
Bottom: GRP  
Top: polycarbonate  
IP 65



**PVT 3030 - 1Fm**  
300x300x170mm  
Electricity meter box  
Bottom: GRP (glass fibre reinforced polyester)  
Top: polycarbonate  
IP 65



**PVT 3045 - 1/3Fm**  
300x450x170mm  
Electricity meter box  
Bottom: GRP (glass fibre reinforced polyester)  
Top: polycarbonate  
IP 65

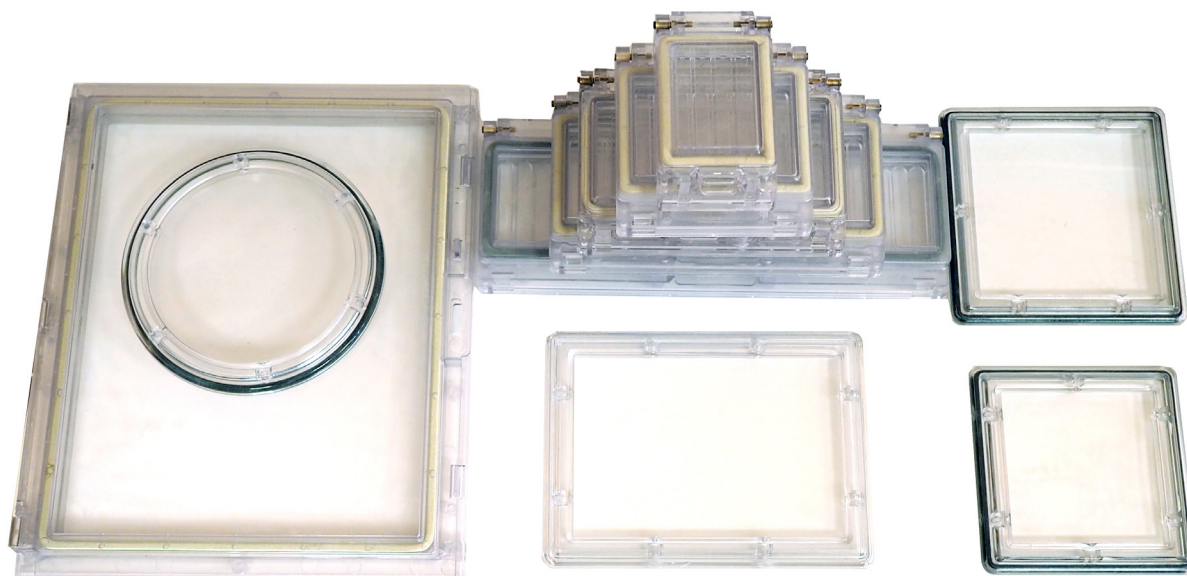


**PVT 3060 - 3Fm**  
300x600x170mm  
Electricity meter box  
Bottom: GRP (glass fibre reinforced polyester)  
Top: polycarbonate  
IP 65



**PVT F 3030 - 1Fm**  
300x300x170mm  
Electricity meter box  
Bottom: polycarbonate  
Top: polycarbonate  
IP 65

PVT TYPE ENCLOSURES



### Flip windows

Made of high quality UV stable and fire retardant plastic material.

2 moduls, 4 moduls, 6 moduls, 8 moduls, 12 moduls

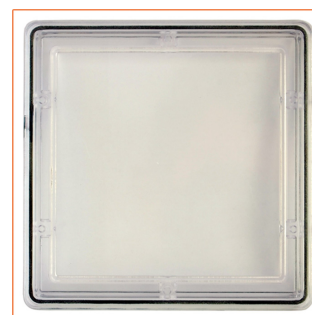


## Inspection windows

Dimensions: 103x103 mm, 118 x 118 mm, 118 x 158 mm, Ø128mm



**HIGH QUALITY  
POLYCARBONATE**



**UV STABLE**



**FLAME RETARDANT**

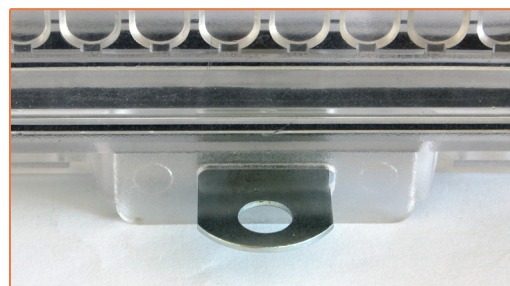


## Door for operating electronic meter

Dimensions: 230 x 185 mm, 115x150 mm



## Lockable plate for windows



**Mounting plates for PVT enclosures**

**PVT 1530 mounting plate 140 x 290 mm**

**PVT 3030 mounting plate 290 x 240 mm**

**PVT 3045 mounting plate 290 x 440 mm**

**PVT 3060 mounting plate 290 x 590 mm**



**Mounting plates for Jager outdoor cabinets**

PSZ 26x44 (220x375mm)

PSZ 40x44 (350x375mm)

PSZ 53x44 (485x375mm)

PSZ 66x44 (620x375mm)

PSZ 26x59 (220x490mm)

PSZ 40x59 (350x490mm)

PSZ 53x59 (485x490mm)

PSZ 66x59 (620x490mm)

PSZ 26 (220x810mm)

PSZ 40 (350x810mm)

PSZ 53 (485x810mm)

PSZ 66 (620x810mm)

PSZ 80 (760x810mm)

**Airing grille for JB cabinets**



Mounting plate 1m<sup>2</sup>

Mounting plates are flame resistant and good impact resistance polyester



**Padlock staple for PVT boxes**



**NEW**



**NEW**

Polyester bottom  
Polyester top

For  
surveillance cameras,  
electric car chargers,  
telecommunication systems.

Wall mounted  
or  
Pole mounted

Available colors:  
RAL 9005, RAL 7000,  
RAL 7035, RAL 1033



**NEW**

**NEW**

**PVT-M enclosures**

**NEW**



**NEW**



**Busbar holder 250A and 400A  
for 60mm busbar system**

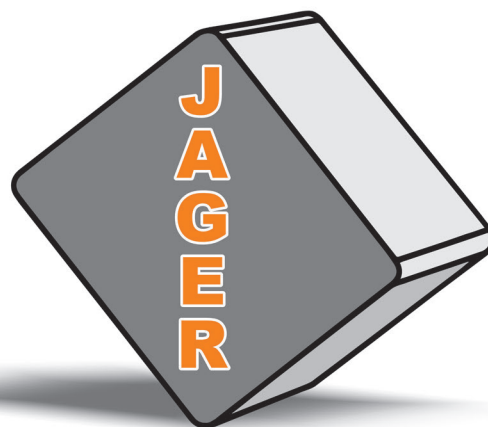
**3P+N+Pe**

**dimensions:**

**250A: 12x10 / 12x5**

**400A: 20x10 / 12x10 / 12x5**





# **Csatari Plast Ltd.**

**Dozsa Gyorgy u. 1.**

**Nemesvamos, Hungary**

**+36304352200**

**[divizio@csatariplast.hu](mailto:divizio@csatariplast.hu)**

**[www.csatariplast.hu](http://www.csatariplast.hu)**